

Totley - Antique Brass 3 Arm Ceiling Light with Clear Glass Shades



LIGHT SOURCE DATA

- 3W Max LED G9 (required)
- Lamp direction - Indirect
- Lamp shape - Capsule
- Dimmable
- Energy class: Not applicable

DIMENSION DATA

- Height 370mm
- Diameter 430mm

- Weight 0.90kg

SPECIFICATION

- Manufacturer warranty for 2 years from date of purchase
- Antique brass plate and clear glass
- IP20
- No
- Class I - Single Insulated, Earthed
- 240V
- Assembly required? Yes
- UKCA Marking, Energy Efficient, Energy Saving

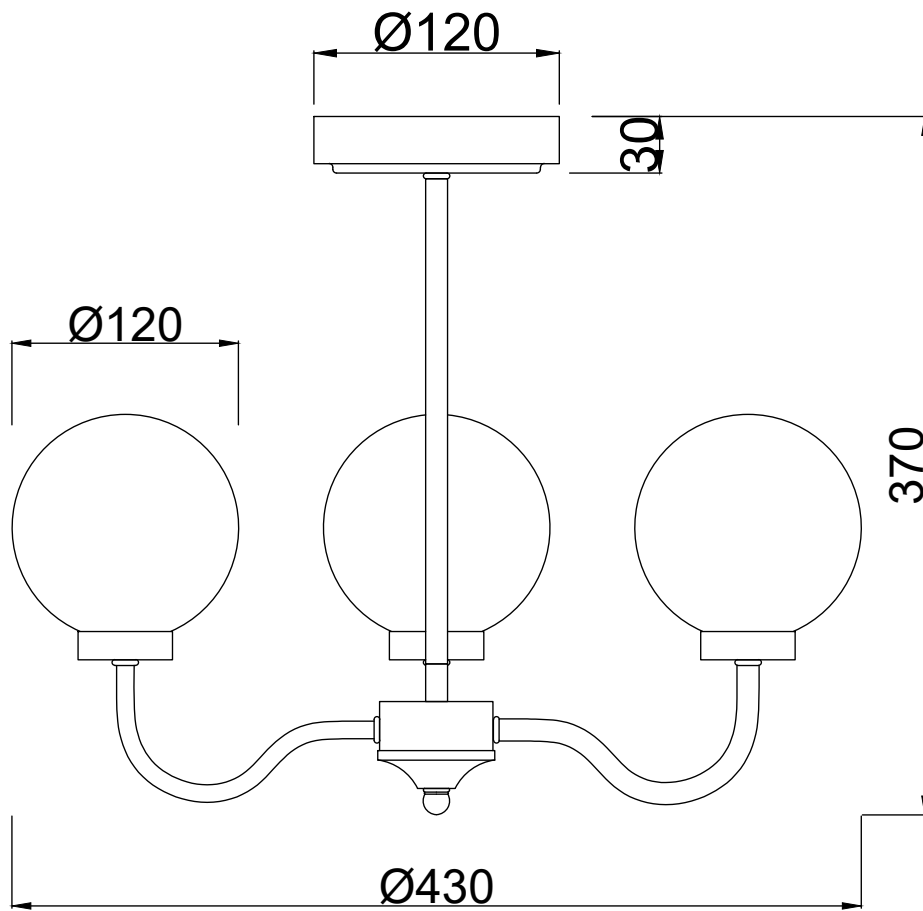
CERTIFICATION



CONTACT

www.firstchoicelighting.co.uk

info@firstchoicelighting.co.uk



CERTIFICATION



CONTACT

www.firstchoicelighting.co.uk

info@firstchoicelighting.co.uk