

Endon Lighting - Diamond - 113595 - Antique Brass Wall Light



REFERENCE

- SKU: FCL-30897
- Supplier SKU: 113595
- Barcode: 5016087208289

DESCRIPTION

An elegant diamond shaped solid cast wall back with 'T' shaped arm, finished in brass patina, featuring classic brass B22 lamp holder. The timeless flat wall back re-creates that authentic look from the past. Due to the artisan sand casting and hand finishing processes, each wall light may vary in surface finish and colour, enhancing the unique beauty of every individual piece. Perfect when paired with one of our 16cm or 20cm decorative fabric shades. Easy self-assembly of arm and wall back with fixing tool supplied.

CATEGORY

- Brand: Endon Lighting
- Family: Diamond
- Category: Indoor Lighting / Wall / Decorative

APPEARANCE

- Base: Antique Brass Plate

DIMENSION

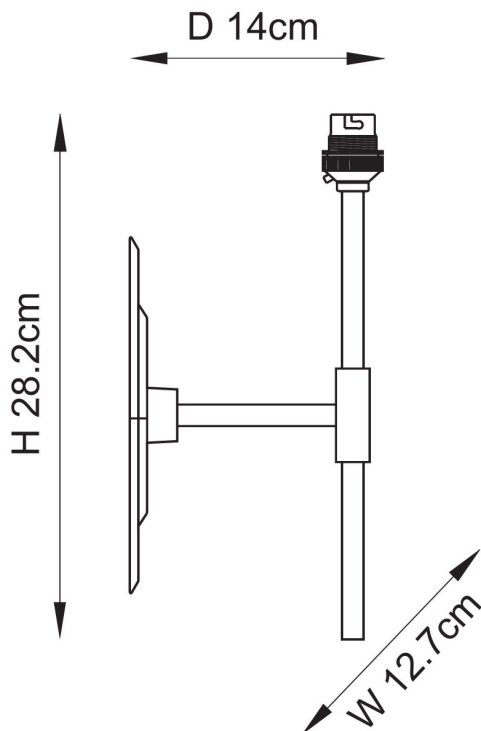
- Height: 282mm
- Width: 127mm
- Depth: 140mm
- Weight: .78kg

LIGHT SOURCE

- Lamp included: No
- Lamp detail: 7W Max LED B22 BC (required)
- Dimmable
- Energy class: Not applicable
- Switch: No

SPECIFICATION

- Ingress protection: IP20
- Class: Class I - Single Insulated, Earthed
- Voltage: 240V



CONTACT