

Endon Lighting - Ripple Curve - 114102 - Antique Brass Neutral Wall Light

REFERENCE

- SKU: FCL-30909
- Supplier SKU: 114102
- Barcode: 5016087210114

DESCRIPTION

Add a burst of colour and character to your interior with this single B22 wall light, featuring a beautifully sand cast, decorative circular backplate and gracefully curved arm in a warm antique finish. The pleated tapered fabric shade is adorned with a Ikat pattern in neutral tones, offering a playful yet refined accent. Perfect for bringing a touch of artisan charm to classic or eclectic interiors.

CATEGORY

- Brand: Endon Lighting
- Family: Ripple Curve
- Category: Indoor Lighting / Wall / Decorative

APPEARANCE

- Base: Antique Brass Plate
- Shade: Neutral Print Faux Silk

DIMENSION

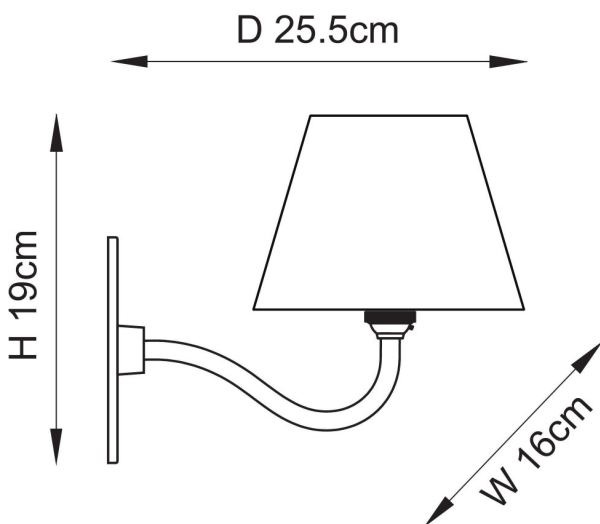
- Height: 190mm
- Width: 160mm
- Depth: 255mm
- Weight: .65kg

LIGHT SOURCE

- Lamp included: No
- Lamp detail: 7W Max LED B22 BC (required)
- Dimmable
- Energy class: Not applicable
- Switch: No

SPECIFICATION

- Ingress protection: IP20
- Class: Class I - Single Insulated, Earthed
- Voltage: 240V



CONTACT