

Endon Lighting - Dahlia - 115324 - Antique Brass Green Wall Light



## REFERENCE

- SKU: FCL-30953
- Supplier SKU: 115324
- Barcode: 5016087211166

## DESCRIPTION

Classic in form and rich in character, this single B22 wall light features a beautifully sand-cast decorative backplate with a fan-fluted design that adds texture and vintage charm. The arm extends to support a striking green zig-zag pattern tapered pleated fabric shade, softly diffusing light to create a warm, inviting glow. Perfect for bedrooms, hallways, or living spaces, this piece blends artisan craftsmanship with timeless elegance.

## CATEGORY

- Brand: Endon Lighting
- Family: Dahlia
- Category: Indoor Lighting / Wall / Decorative

## APPEARANCE

- Base: Antique Brass Plate
- Shade: Cotswold Green Faux Silk

## DIMENSION

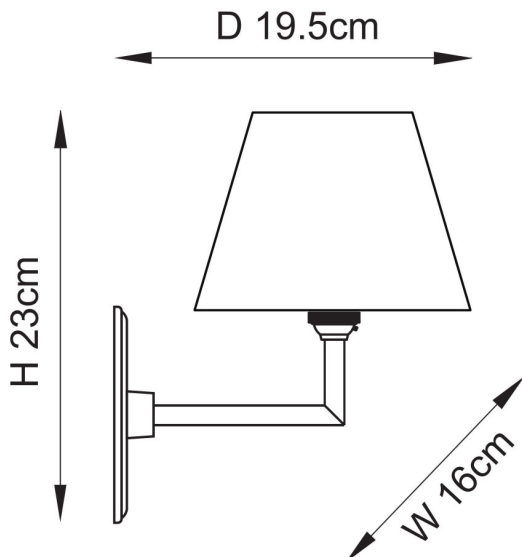
- Height: 230mm
- Width: 160mm
- Depth: 195mm
- Weight: .84kg

## LIGHT SOURCE

- Lamp included: No
- Lamp detail: 7W Max LED B22 BC (required)
- Dimmable
- Energy class: Not applicable
- Switch: No

## SPECIFICATION

- Ingress protection: IP20
- Class: Class I - Single Insulated, Earthed
- Voltage: 240V



## CONTACT