

Endon Lighting - Dahlia - 115329 - Antique Brass Vintage White Wall Light

REFERENCE

- SKU: FCL-30955
- Supplier SKU: 115329
- Barcode: 5016087211210

DESCRIPTION

Classic in form and rich in character, this single B22 wall light features a beautifully sand-cast decorative backplate with a fan-fluted design that adds texture and vintage charm. The arm extends to support a tapered fabric shade with contrast colour edging, softly diffusing light to create a warm, inviting glow. Perfect for bedrooms, hallways, or living spaces, this piece blends artisan craftsmanship with timeless elegance.

CATEGORY

- Brand: Endon Lighting
- Family: Dahlia
- Category: Indoor Lighting / Wall / Decorative

APPEARANCE

- Base: Antique Brass Plate
- Shade: Vintage White Cotton

DIMENSION

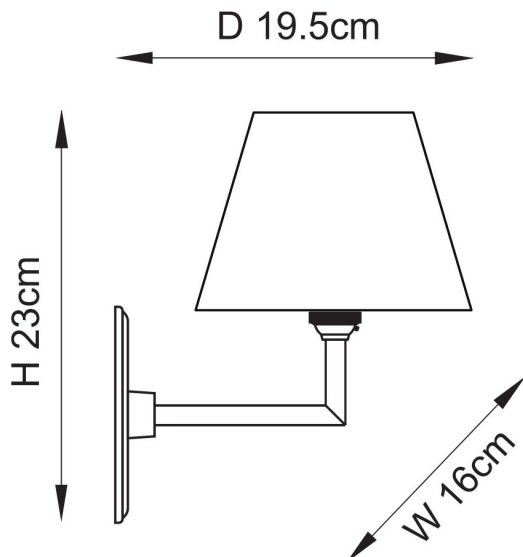
- Height: 230mm
- Width: 160mm
- Depth: 195mm
- Weight: .79kg

LIGHT SOURCE

- Lamp included: No
- Lamp detail: 7W Max LED B22 BC (required)
- Dimmable
- Energy class: Not applicable
- Switch: No

SPECIFICATION

- Ingress protection: IP20
- Class: Class I - Single Insulated, Earthed
- Voltage: 240V



CONTACT