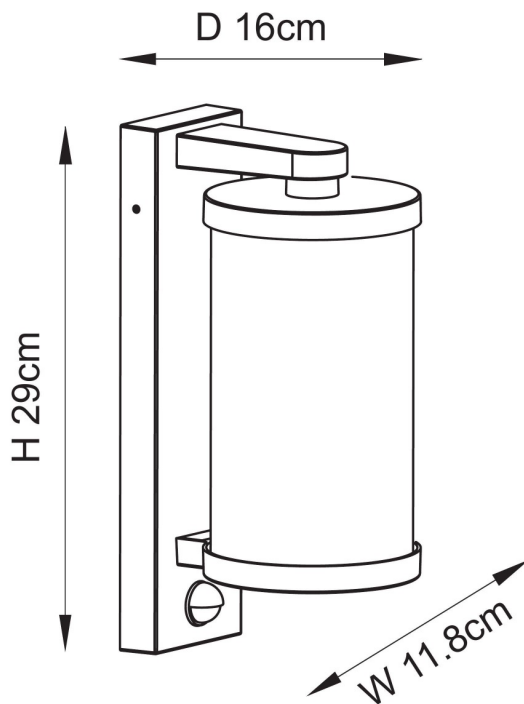


Endon Lighting - Newcombe - 120537 - Black Clear Ribbed Glass IP44 Outdoor Sensor Wall Light



REFERENCE

- SKU: FCL-31038
- Supplier SKU: 120537
- Barcode: 5016087217946

DESCRIPTION

Contemporary and practical, this black painted exterior wall light features a sleek cylindrical design with clear ribbed glass panels that enhance light diffusion and visual texture. An integrated PIR sensor provides motion-activated illumination for added security and convenience, making it ideal for entryways, pathways, or garden walls. Built for durability and weather resistance, it combines smart functionality with clean, modern lines.

CATEGORY

- Brand: Endon Lighting
- Family: Newcombe
- Category: Outdoor Lighting / Wall / Sensor

APPEARANCE

- Base: Matt Black Paint
- Shade: Clear Ribbed Glass

DIMENSION

- Height: 290mm
- Width: 118mm
- Depth: 160mm
- Weight: 1.05kg

LIGHT SOURCE

- Lamp included: No
- Lamp detail: 10W Max LED E27 ES (required)
- Non-dimmable
- Energy class: Not applicable
- Switch: No

SPECIFICATION

- Ingress protection: IP44
- Sensor: PIR Motion Sensor
- Class: Class I - Single Insulated, Earthed
- Voltage: 240V

CONTACT