

Endon Lighting - Thornton - 120556 - Black Clear Glass IP44 Outdoor Sensor Wall Light



#### REFERENCE

- SKU: FCL-31040
- Supplier SKU: 120556
- Barcode: 5016087217953

#### DESCRIPTION

Bring timeless classic and security to your outdoor space with this black painted PIR sensor exterior wall light. Inspired by traditional lantern-style fittings, its elegantly curved arm and wide brimmed shade give it a timeless silhouette, while the integrated PIR sensor offers automatic illumination when motion is detected. The clear glass dome protects the bulb and ensures a bright, welcoming glow - ideal for porches, garden paths, or entranceways. A practical yet stylish choice for all exteriors.

#### CATEGORY

- Brand: Endon Lighting
- Family: Thornton
- Category: Outdoor Lighting / Wall / Sensor

#### APPEARANCE

- Base: Matt Black Paint
- Shade: Clear Glass

#### DIMENSION

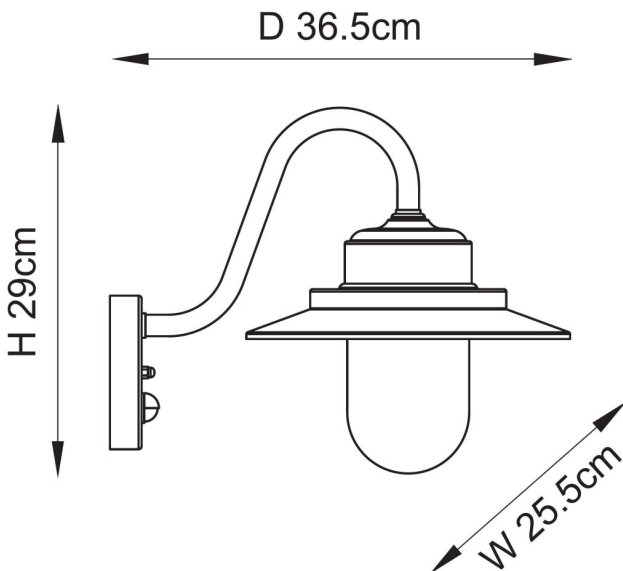
- Height: 290mm
- Width: 255mm
- Depth: 365mm
- Shade Height: 170mm
- Shade diameter: 95mm
- Weight: 1.05kg

#### LIGHT SOURCE

- Lamp included: No
- Lamp detail: 10W Max LED E27 ES (required)
- Non-dimmable
- Energy class: Not applicable
- Switch: No

#### SPECIFICATION

- Ingress protection: IP44
- Sensor: PIR Motion Sensor
- Class: Class I - Single Insulated, Earthed
- Voltage: 240V



#### CONTACT