

Endon Lighting - Ashcroft - 120619 - Aged Brass Clear Ribbed Glass 5 Light Ceiling Pendant Light



#### REFERENCE

- SKU: FCL-31044
- Supplier SKU: 120619
- Barcode: 5016087219025

#### DESCRIPTION

This 5-light semi-flush ceiling fitting exudes classic charm with a modern edge, featuring fluted clear glass shades that beautifully diffuse light. The gently curved arms and warm brass-toned frame add a refined silhouette, ideal for enhancing lower ceilings without compromising on style. Perfect for kitchens, hallways, or living spaces, it offers a timeless blend of elegance and functionality.

#### CATEGORY

- Brand: Endon Lighting
- Family: Ashcroft
- Category: Indoor Lighting / Ceiling / Pendant

#### APPEARANCE

- Base: Brushed Aged Brass Plate
- Shade: Clear Ribbed Glass

#### DIMENSION

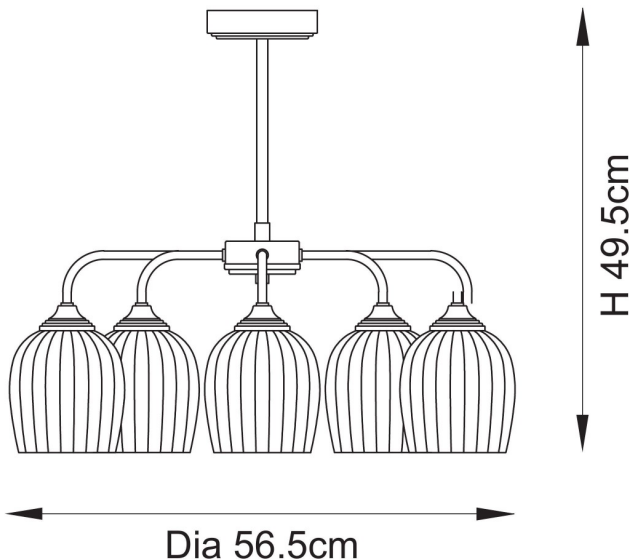
- Height: 495mm
- Diameter: 565mm
- Weight: 0kg

#### LIGHT SOURCE

- Lamp included: No
- Lamp detail: 5 x 6W Max LED E14 SES (required)
- Dimmable
- Energy class: Not applicable
- Switch: No

#### SPECIFICATION

- Ingress protection: IP20
- Class: Class I - Single Insulated, Earthed
- Voltage: 240V



#### CONTACT