

Endon Lighting - Eltham - 121004 - Aged Brass Natural Twisted Clear Glass Ceiling Pendant Light



REFERENCE

- SKU: FCL-31096
- Supplier SKU: 121004
- Barcode: 5016087219421

DESCRIPTION

Delicately sculpted with a rippled, shell-like texture, this decorative heavy clear glass shade brings a touch of French-inspired elegance to any setting. Its organic silhouette and artisan-crafted clarity offer a classic decorative feel while diffusing light with soft brilliance. Suspended from a classically styled parchment braided fabric flex set with warm brass details, adding vintage sophistication to any room. Ideal for kitchens, hallways, or bedrooms.

CATEGORY

- Brand: Endon Lighting
- Family: Eltham
- Category: Indoor Lighting / Ceiling / Single

APPEARANCE

- Base: Brushed Aged Brass Plate
- Shade: Clear Glass
- Detail: Natural Twisted Flex

DIMENSION

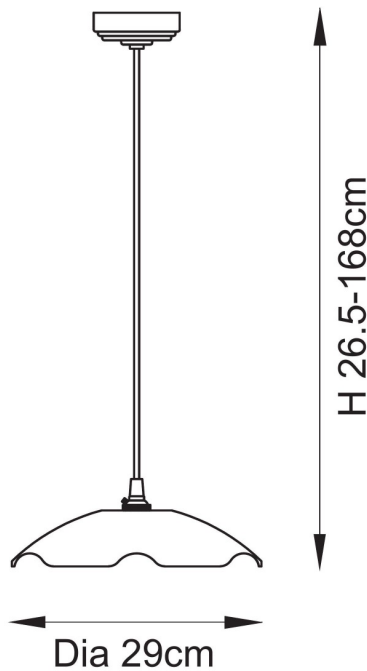
- Height: 265 - 1680mm
- Diameter: 290mm
- Weight: 0kg

LIGHT SOURCE

- Lamp included: No
- Lamp detail: 5W Max LED B22 BC (required)
- Dimmable
- Energy class: Not applicable
- Switch: No

SPECIFICATION

- Ingress protection: IP20
- Class: Class I - Single Insulated, Earthed
- Voltage: 240V



CONTACT