



LIGHT SOURCE DATA

- 1.5W LED (included)
- Lamp direction - Downwards
- Lamp shape - LED
- Dimmer included
- 3000K (Warm White)
- 133Lm
- 88.7Lm/W
- 80 Lifettime
- Energy class: Not applicable
- 20000 CRI

DIMENSION DATA

- Height 250mm
- Diameter 130mm
- Weight 0.45kg

SPECIFICATION

- Manufacturer warranty for 2 years from date of purchase
- Matt sage green paint
- IP20
- 3 Stage Dimmer Switch
- Class III - Safe Extra Low Voltage Power Source
- 5V (battery operated, included)
- Assembly required? No
- 3-stage dimmer. 4 hours charging time. Battery runs for up to 8 hours at full charge. USB charging cable is included with the lamp. Rechargeable.
- UKCA Marking, Energy Efficient, Energy Saving

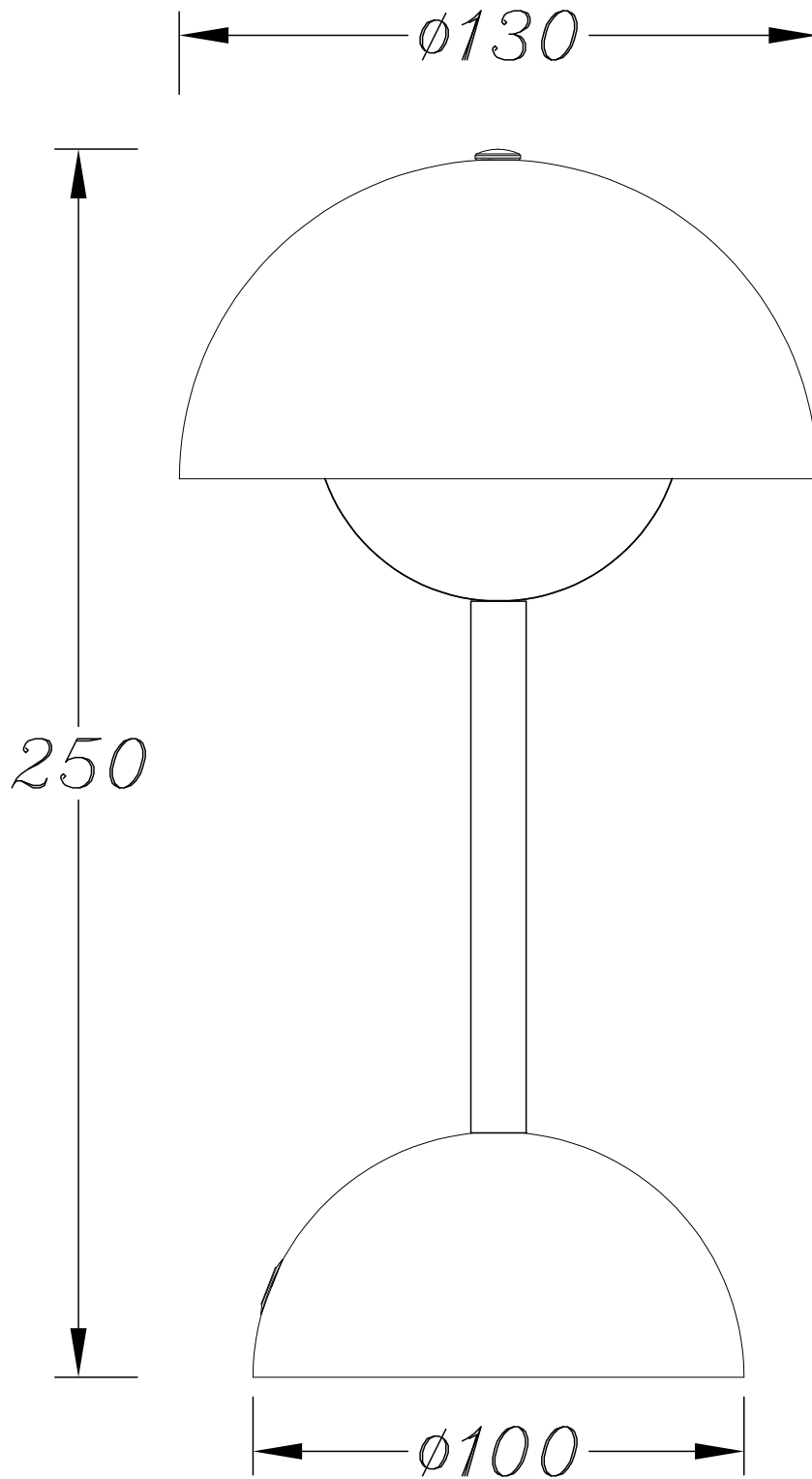
CERTIFICATION



CONTACT

www.firstchoicelighting.co.uk

info@firstchoicelighting.co.uk



CERTIFICATION



CONTACT

www.firstchoicelighting.co.uk

info@firstchoicelighting.co.uk