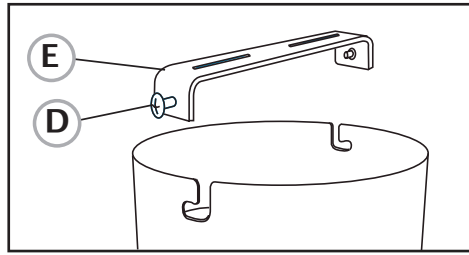


Step 5

1. This product has “L” shaped fixing holes to allow easy fixing to the mounting bracket. Locate the “L” slots around the small screws (D) on the mounting bracket (E).
2. Rotate the ceiling cover to attach the product to the bracket. Tighten the screws to secure. Take care not to trap any wiring.

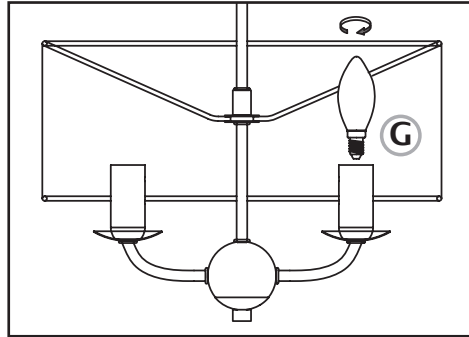


Step 6

2. Fit the bulbs (G).

Step 7

Replace fuse or circuit breaker and switch on. Your light is now ready for use.



3 LIGHT CEILING LIGHT

INSTRUCTION MANUAL

IMPORTANT: Please read these instructions before using the product and retain for future use.

www.firstchoicelighting.co.uk

08/05/2026

Waste electrical products should not be disposed of with household waste. Please recycle where facilities exist. Check with your Local Authority or retailer for recycling advice. The packaging on this product can also be recycled.



SAFETY AND CARE ADVICE

- For your safety, this product must be installed in accordance with local building regulations. If in any doubt, or where required by law, consult a competent person who is registered with an electrical self-certification scheme. Further information is available online or from your local authority.
- This is a Class II product and must NOT be earthed. Install in accordance with the IEE Wiring regulations and the Building Regulations.
- This product has been designed for non-professional, domestic use only, on normal flammable surfaces.
- Dispose of all packaging correctly and responsibly, and in accordance with all local laws and regulations. Never leave packaging components within reach of children, as they can be a source of danger.
- To prevent electrocution switch off at mains supply before installing or maintaining this fitting. Ensure other persons cannot restore the electrical supply without your knowledge. If you are in any doubt, please consult a qualified electrician.
- This light fitting should be connected to a 5 amp fused circuit. If replacing an existing fitting, make a note of the connections.
- This product is suitable for use with a dimmer switch, when used with dimmable bulbs.

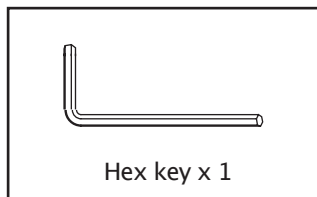
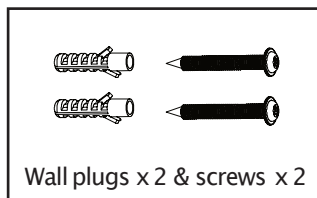
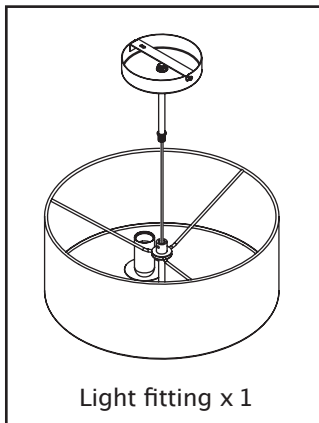
CARE AND MAINTENANCE

- Always disconnect the power supply when servicing or cleaning.
- Use a clean, soft, dry or slightly damp cloth for cleaning this product.
- Do not use abrasive cloths or polishes, as this may cause damage to the product.

CHANGING BULBS

- This product requires 3 x max. 40W E14 Candle bulbs. Bulbs of lower wattage are also suitable for use. Always use the correct type and wattage bulb. Never exceed the wattage stated.
- Ensure that the power supply has been disconnected and the bulb has cooled down before replacing.

PARTS LIST



FIXING INSTRUCTIONS

Make sure you have the following items which are required to install this light fitting: Electric drill and assorted drillbits, selection of cross and flat head screwdrivers & insulation tape.

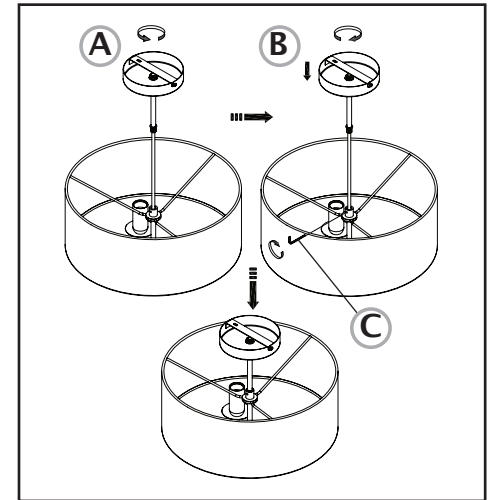
Step 1

Decide on the position of the light fitting. Note the position of the electrical connections, and ensure there is a solid mounting surface, preferably a wooden joist or joist bridge, to support the weight of the light fitting.

Step 2

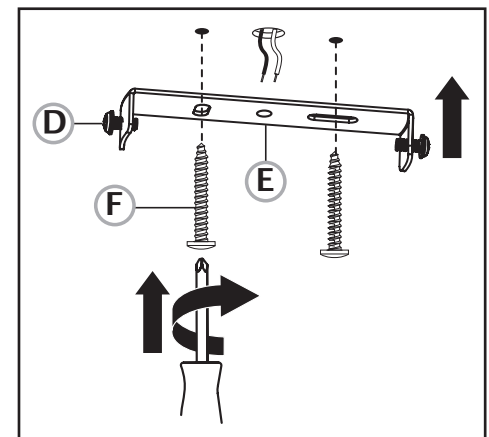
Screw the stem into the top of the body by first rotating anticlockwise two full turns (A). Screwing anticlockwise first will stop the cables from becoming twisted. Screw in the stem in a clockwise rotation (B).

Secure in place using the supplied hex key (C).



Step 3

1. Remove the two side screws (D) from the product and detach the mounting bracket (E).
2. Using the mounting bracket as a template, mark the position of the mounting holes.
3. Taking care to avoid damaging concealed wires and pipes, drill holes and fit supplied wall plugs (suitable for masonry only – for other surfaces use appropriate fixings).
4. Fix the mounting bracket to the ceiling using the supplied screws (F).



Step 4

Having identified the household wiring from your existing light fitting, connect to the connection block inside the product in the following way:

IMPORTANT!

- Check you have correctly identified the house wires.
- Ensure connections are tight.
- Check no loose strands have been left out of the connection block.
- The lid is closed securely over the terminal block.

