

Set of 2 Rogers - Grey Shaggy 30cm Easy Fit Pendant Shades



LIGHT SOURCE DATA

- 2 x 21W Max B22 BC or E27 ES (required)
- Lamp direction - Indirect
- Lamp shape - Standard
- Dimmable
- Energy class: Not applicable

DIMENSION DATA

- Height 200mm
- Diameter 300mm

- Weight 0.35kg

SPECIFICATION

- Manufacturer warranty for 2 years from date of purchase
- Grey shaggy fabric
- IP20
- No
- 240V
- Assembly required? No
- Shade reducer included
- UKCA Marking, Energy Efficient, Energy Saving

CERTIFICATION



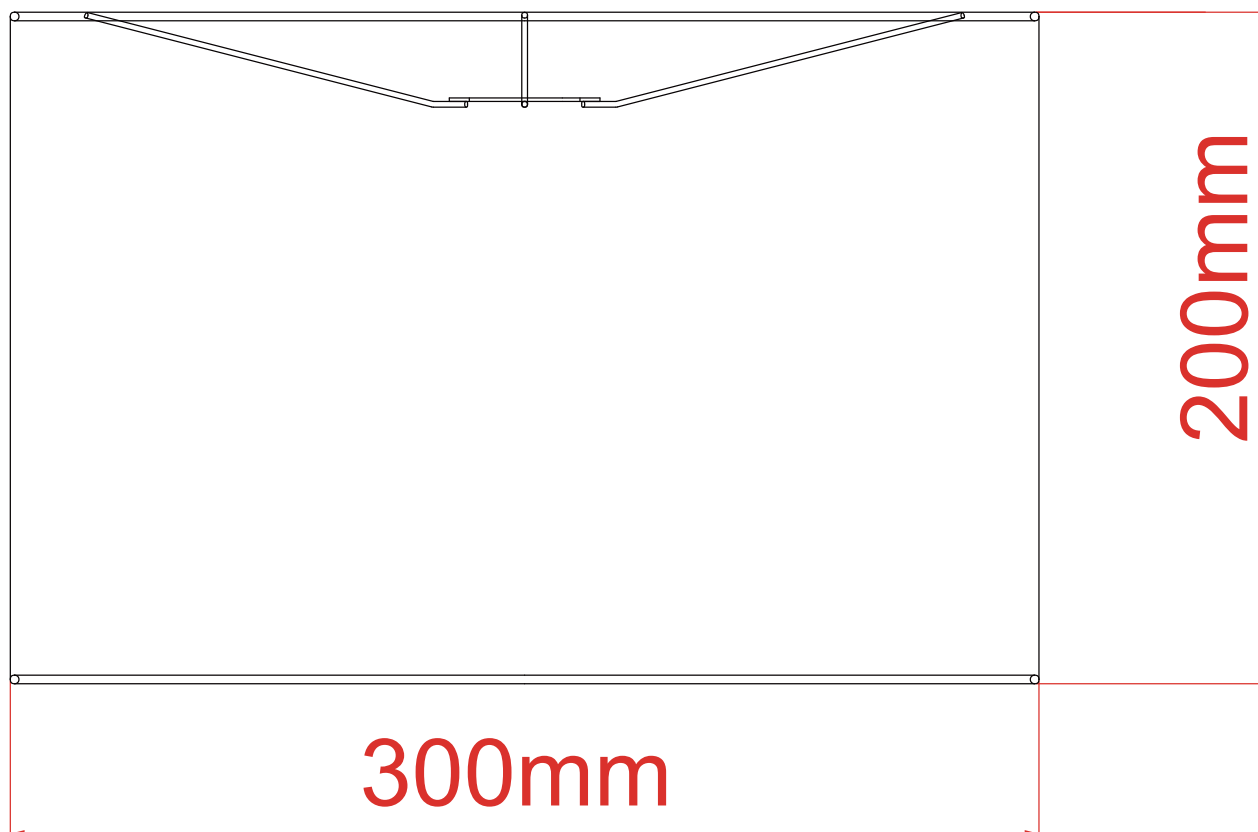
CONTACT

www.firstchoicelighting.co.uk

info@firstchoicelighting.co.uk

FCL-31417X2

Set of 2 Rogers - Grey Shaggy 30cm Easy Fit Pendant Shades



CERTIFICATION



CONTACT

www.firstchoicelighting.co.uk

info@firstchoicelighting.co.uk

ISSUE DATE 03/03/2026

PAGE 2