

Set of 2 Edit - Chrome Bathroom Ceiling Light with Opal Glass Shades



LIGHT SOURCE DATA

- 6 x 20W Max LED G9 (required)
- Lamp direction - Indirect
- Lamp shape - Capsule
- Dimmable
- Energy class: Not applicable

DIMENSION DATA

- Height 100mm
- Diameter 200mm

- Weight 0.66kg

SPECIFICATION

- Manufacturer warranty for 2 years from date of purchase
- Polished chrome plate and matt opal glass
- IP44
- No
- Class I - Single Insulated, Earthed
- 240V
- Assembly required? No
- UKCA Marking, Energy Efficient, Energy Saving

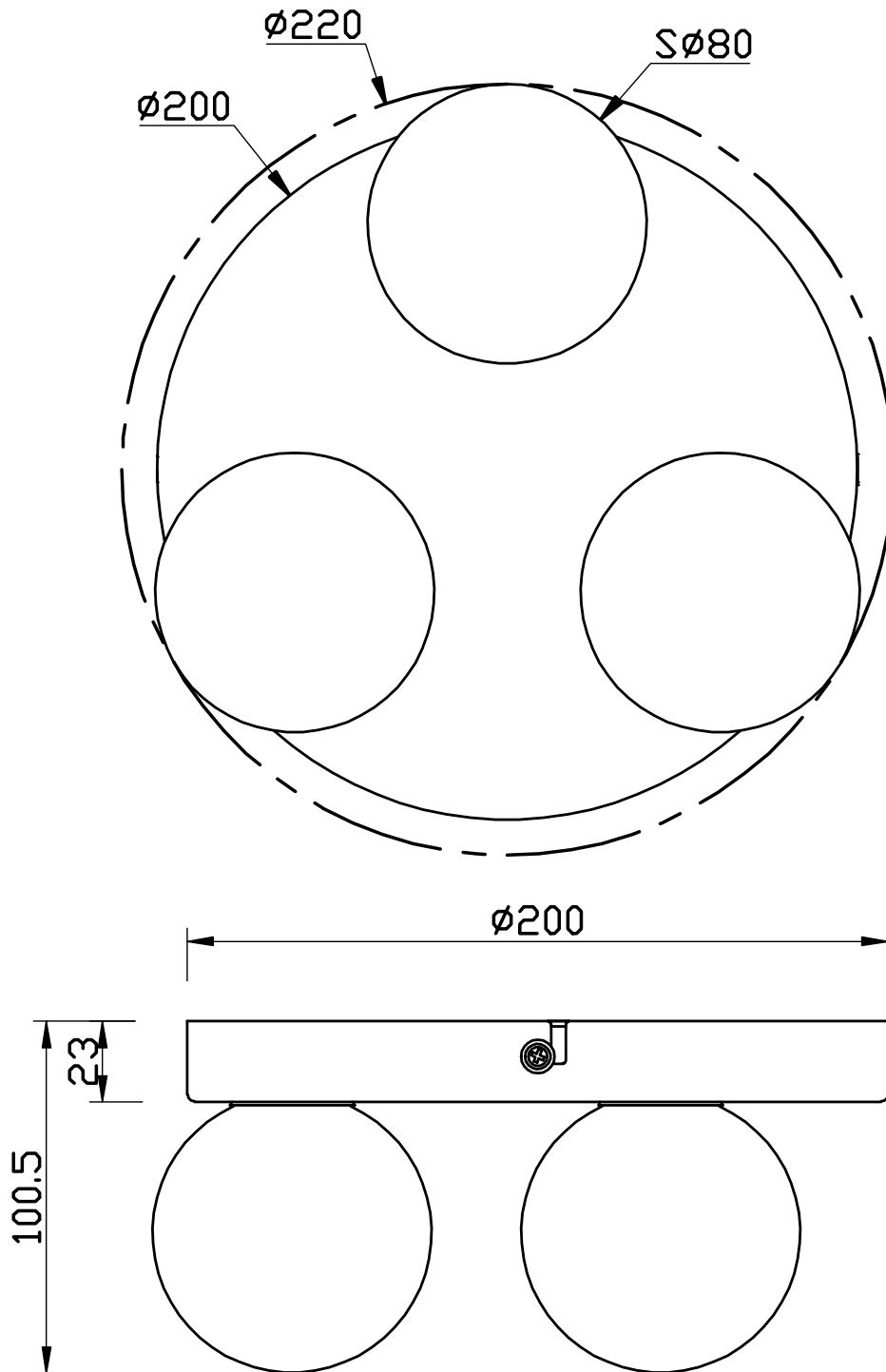
CERTIFICATION



CONTACT

www.firstchoicelighting.co.uk

info@firstchoicelighting.co.uk



CERTIFICATION



CONTACT

www.firstchoicelighting.co.uk

info@firstchoicelighting.co.uk