

Set of 2 Lysa - Red Tiffany Dragonfly Uplight Easy Fit Pendant Shades



LIGHT SOURCE DATA

- 2 x 10W Max B22 BC or E27 ES (required)
- Lamp direction - Indirect
- Lamp shape - Standard
- Dimmable
- Energy class: Not applicable

DIMENSION DATA

- Height 65mm
- Diameter 300mm

- Weight 0.74kg

SPECIFICATION

- Manufacturer warranty for 2 years from date of purchase
- Tiffany decorated glass
- IP20
- No
- 240V
- Assembly required? No
- UKCA Marking, Energy Efficient, Energy Saving

CERTIFICATION



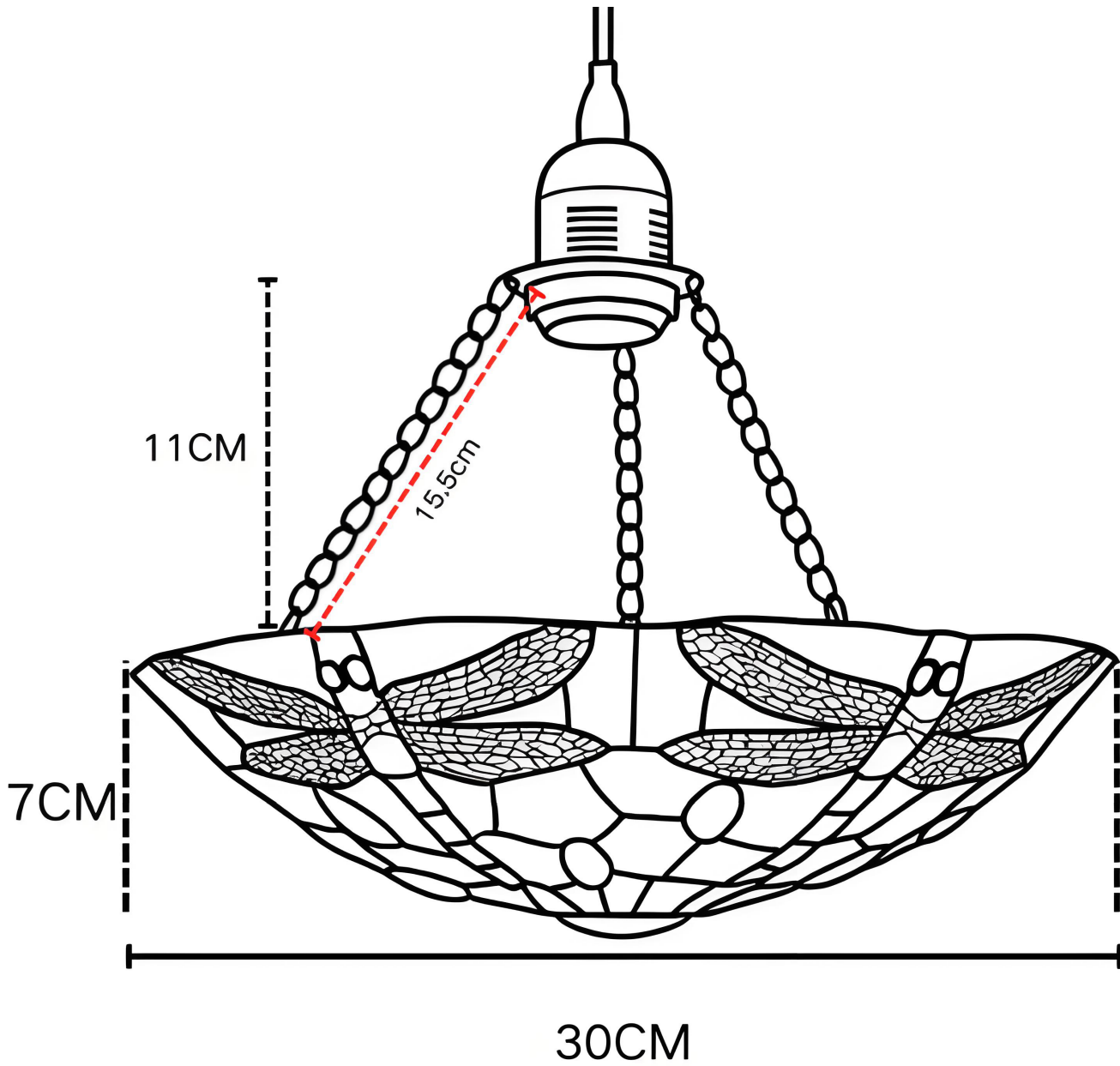
CONTACT

www.firstchoicelighting.co.uk

info@firstchoicelighting.co.uk

FCL-32512X2

Set of 2 Lysa - Red Tiffany Dragonfly Uplight Easy Fit Pendant Shades



CERTIFICATION



CONTACT

www.firstchoicelighting.co.uk

info@firstchoicelighting.co.uk

ISSUE DATE 17/06/2026

PAGE 2