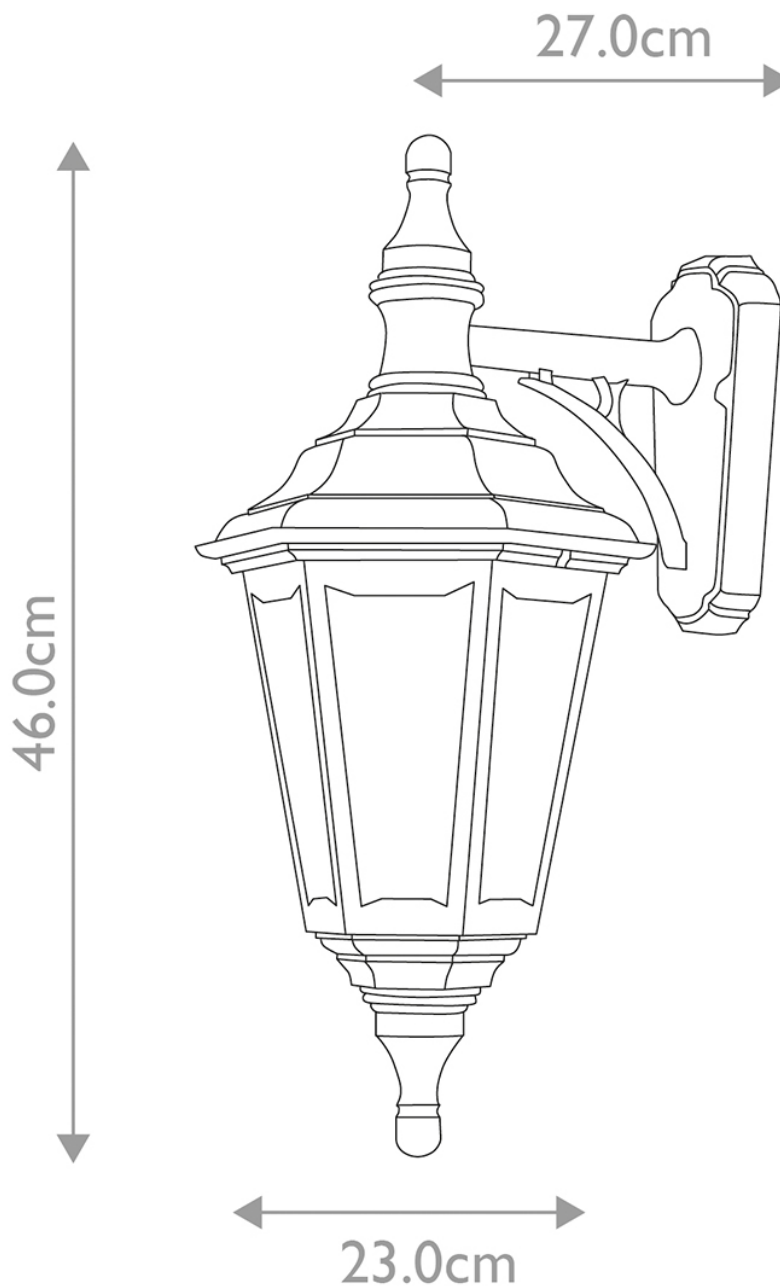


**Elstead - Kinsale KINSALE-WALL Wall Light**



**CONTACT**