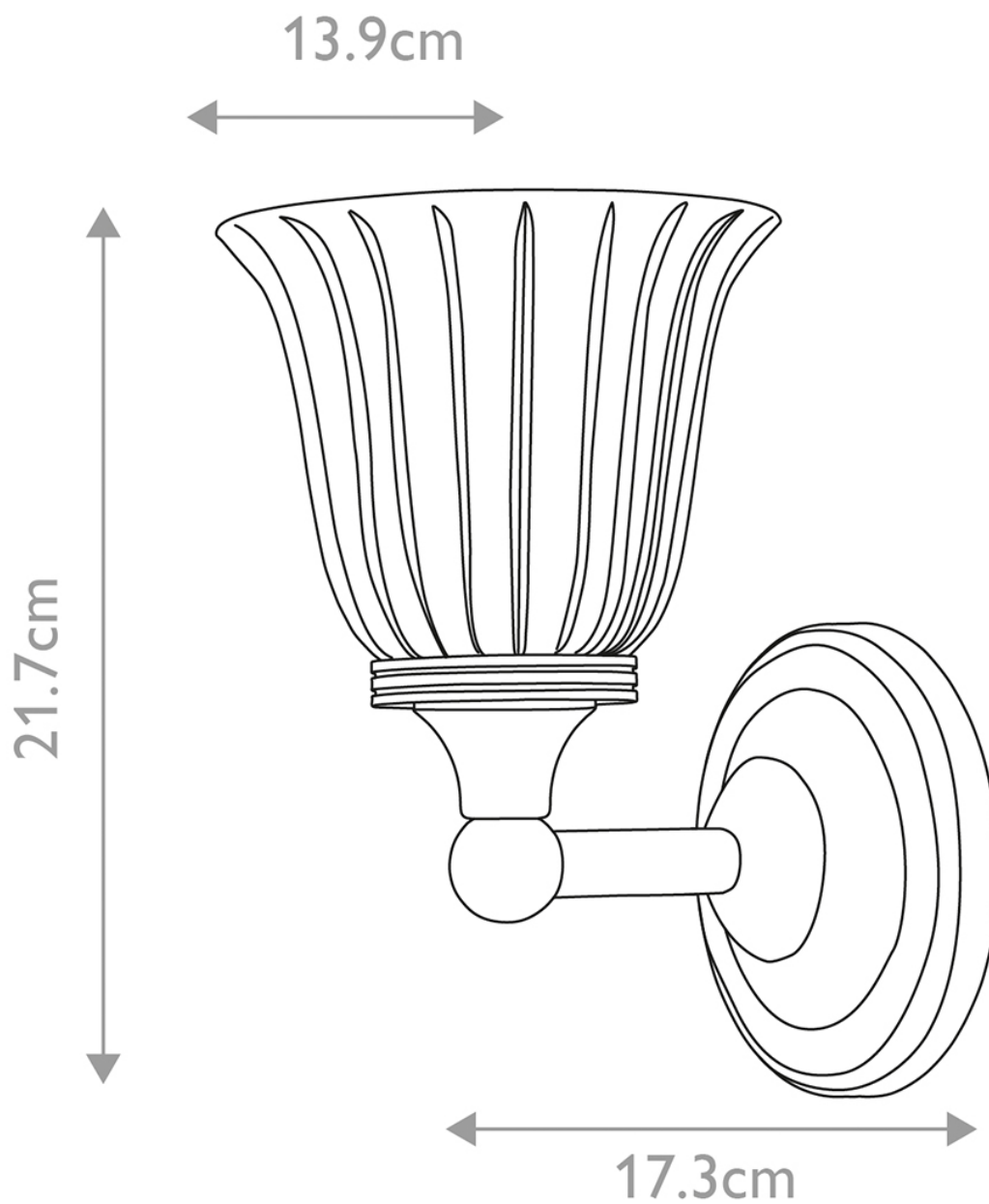


Elstead - Austen BATH-AUSTEN1-PN Wall Light



CONTACT