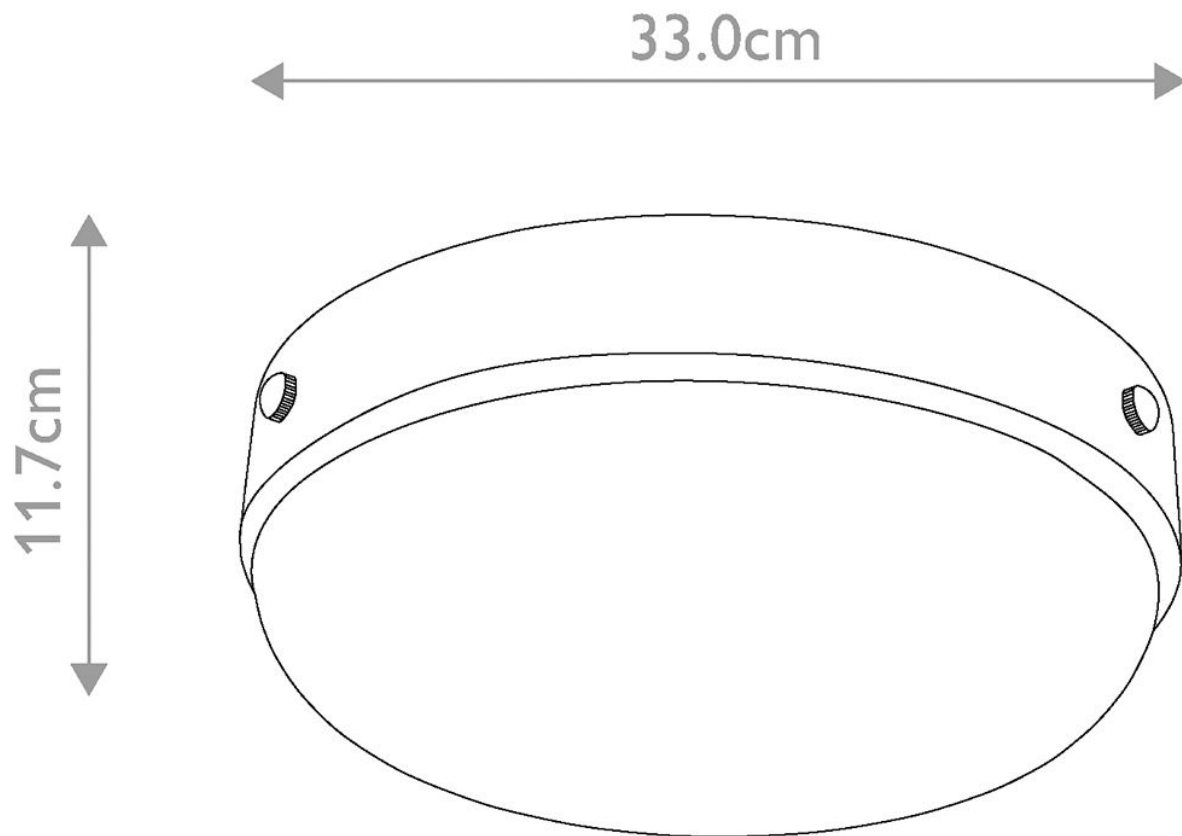


---

**Elstead - Feiss - Cadence FE-CADENCE-F-DAB Flush Light**

---



**CONTACT**