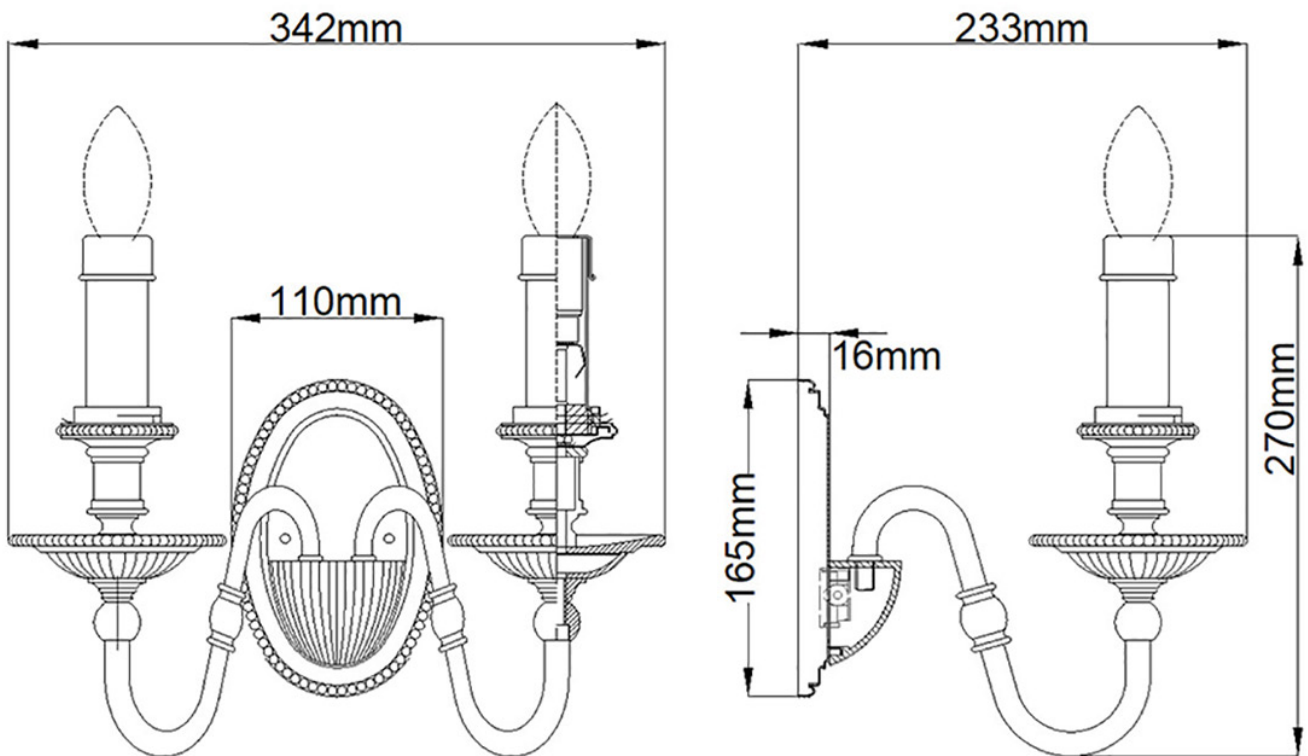


Elstead - Hinkley Lighting - Cambridge HK-CAMBRIDGE2 Wall Light



CONTACT