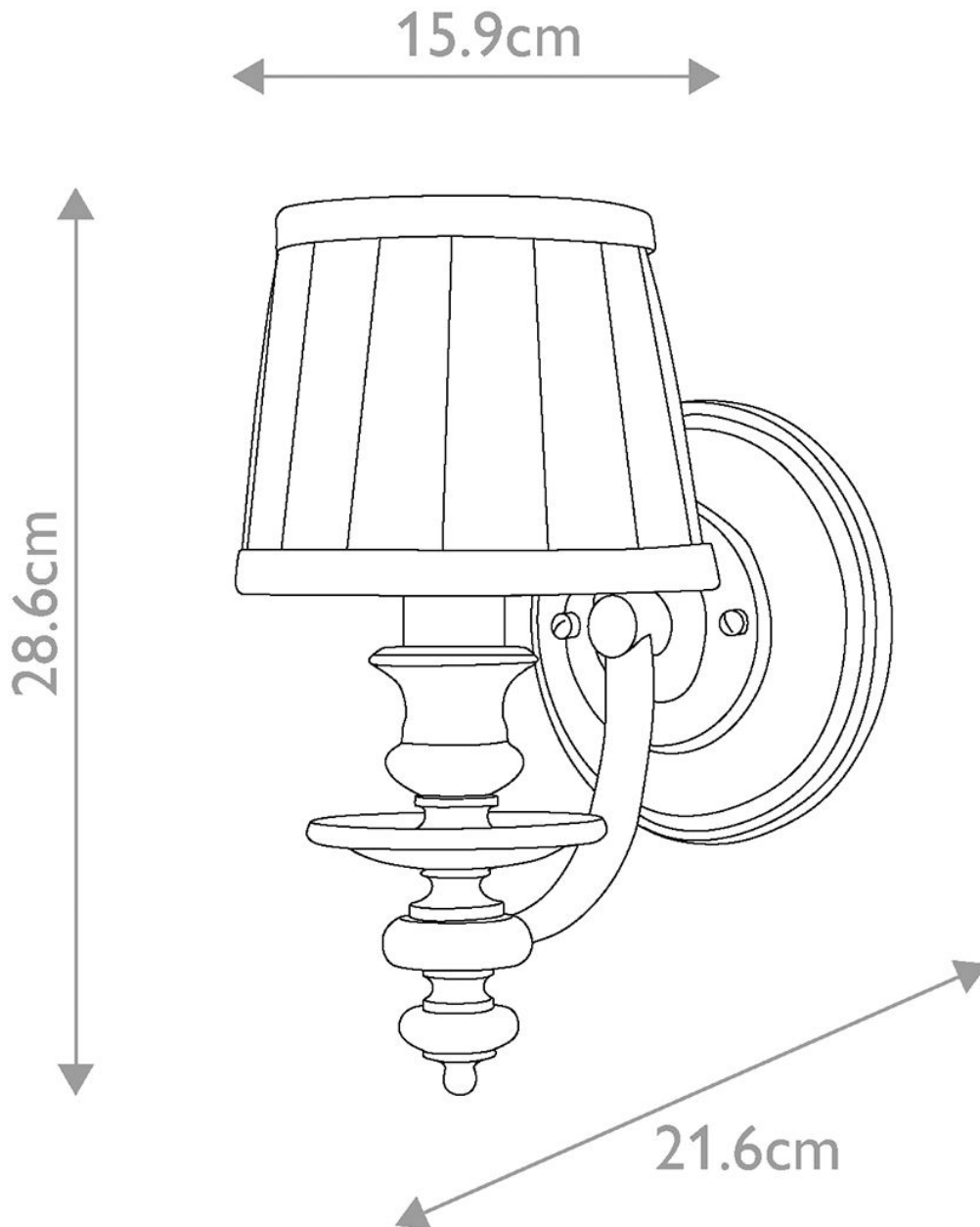


Elstead - Hinkley Lighting - Dunhill HK-DUNHILL1 Wall Light



CONTACT