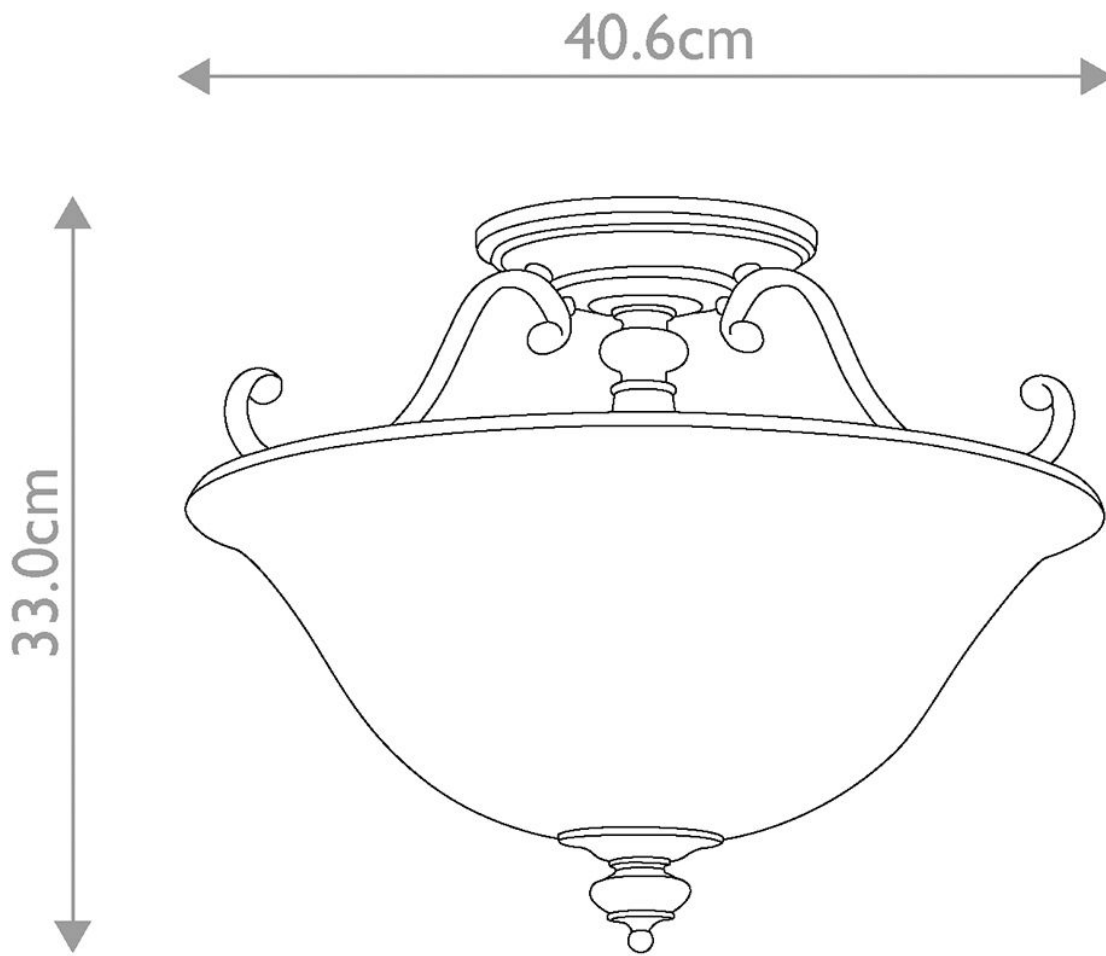


**Elstead - Hinkley Lighting - Dunhill HK-DUNHILL-SF Semi-Flush**



**CONTACT**