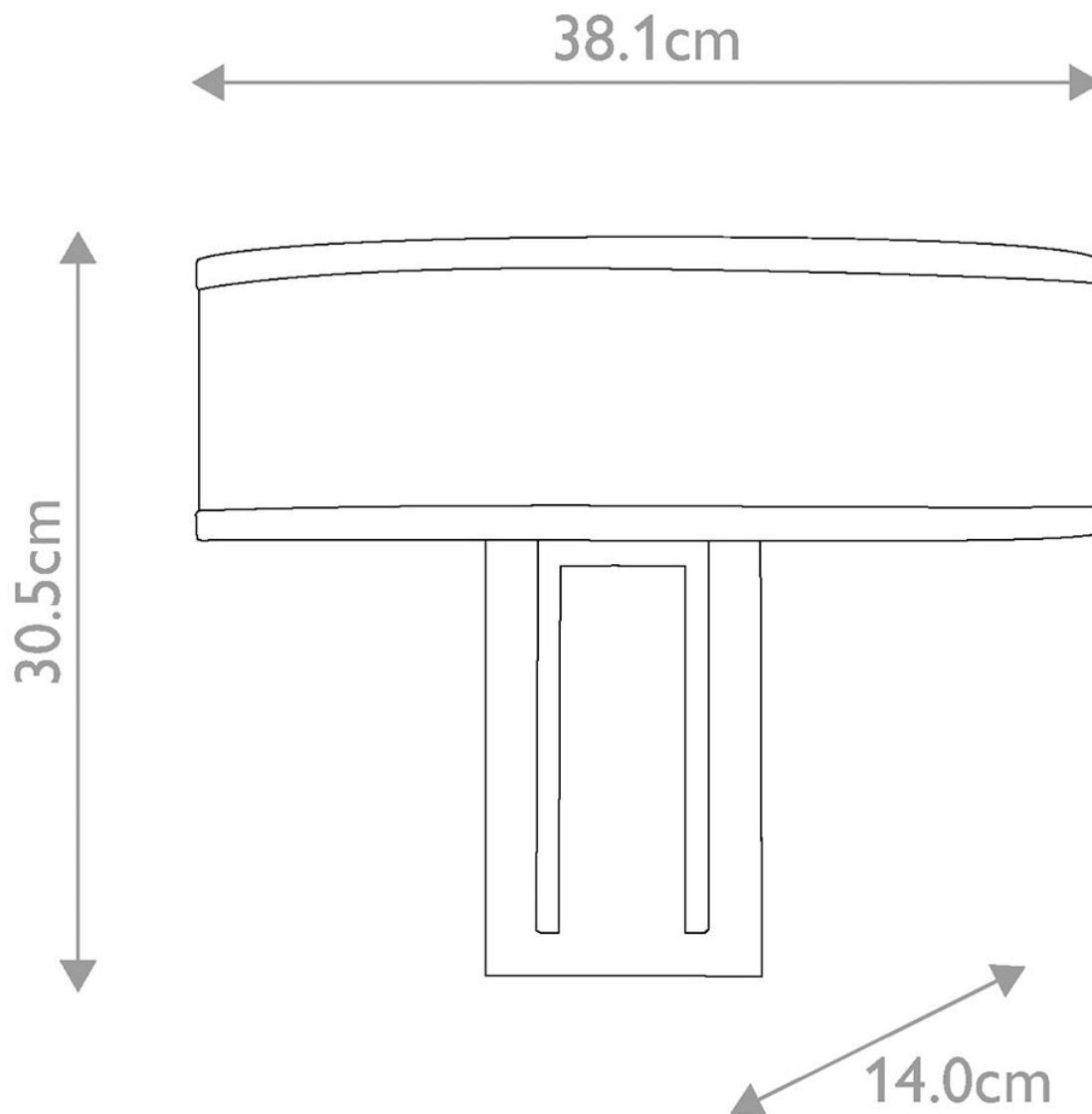


Elstead - Hinkley Lighting - Hampton HK-HAMPTON2 Wall Light



CONTACT