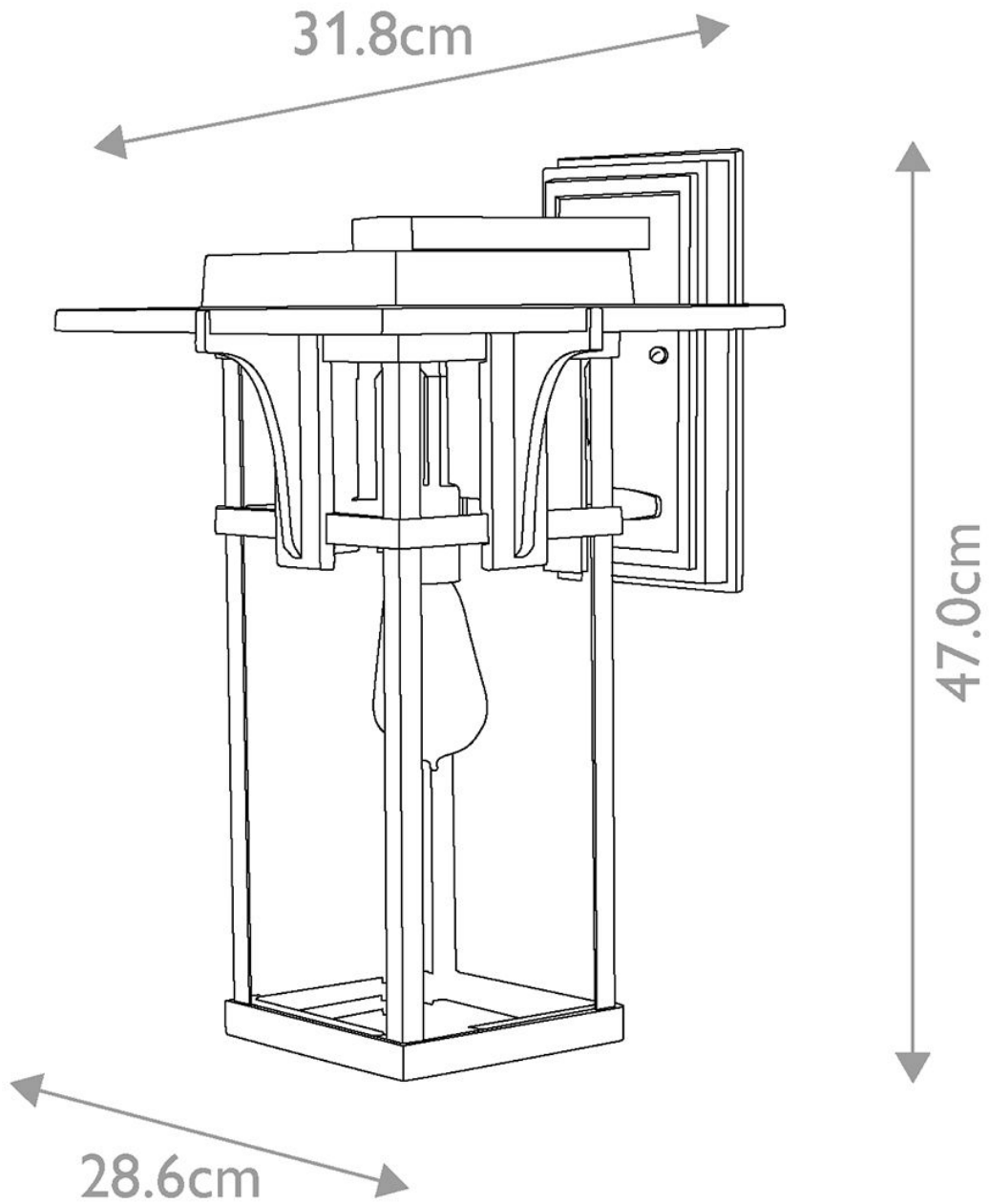


Elstead - Hinkley Lighting - Manhattan HK-MANHATTAN2-L Wall Light



CONTACT