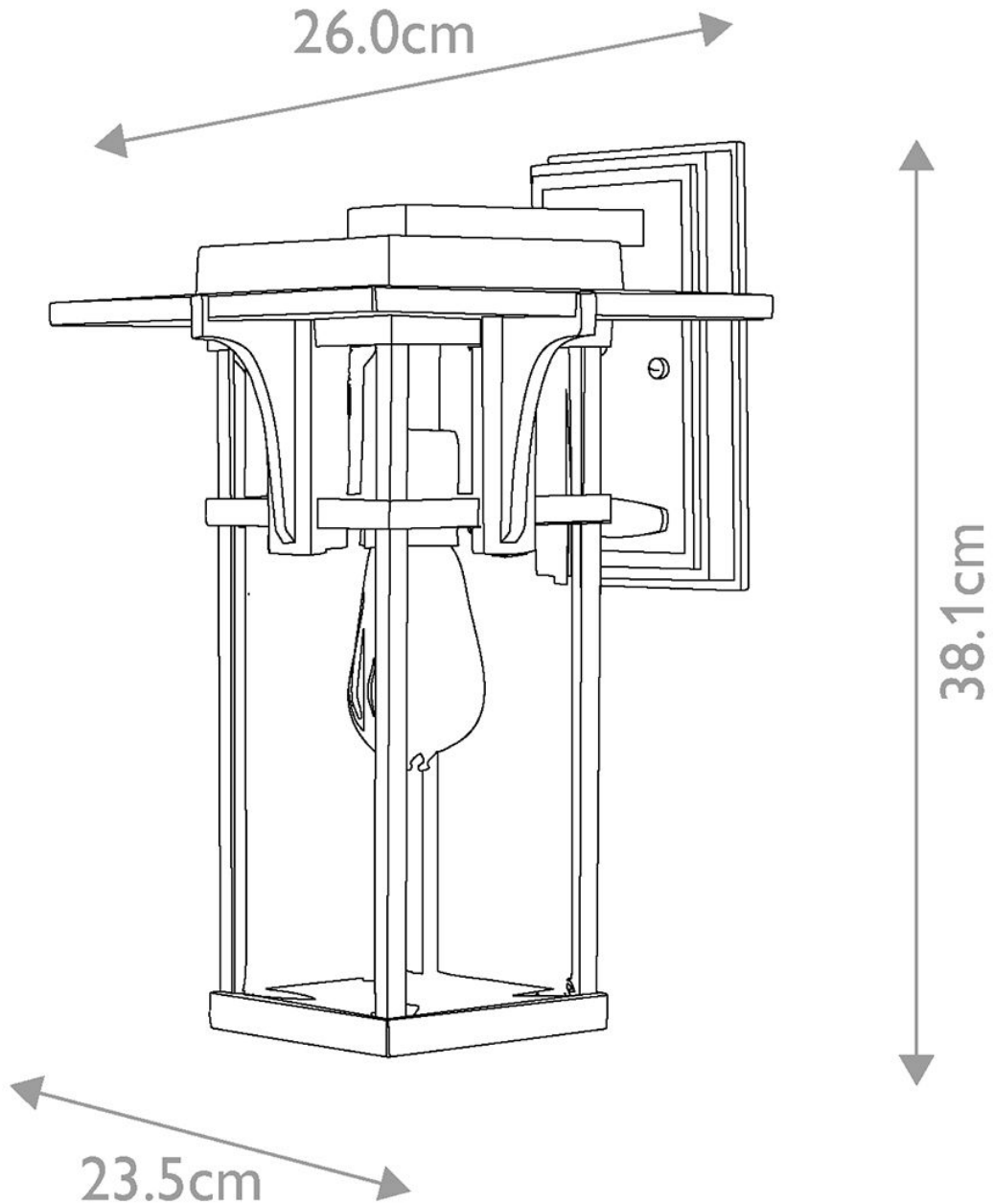


Elstead - Hinkley Lighting - Manhattan HK-MANHATTAN2-M Wall Light



CONTACT