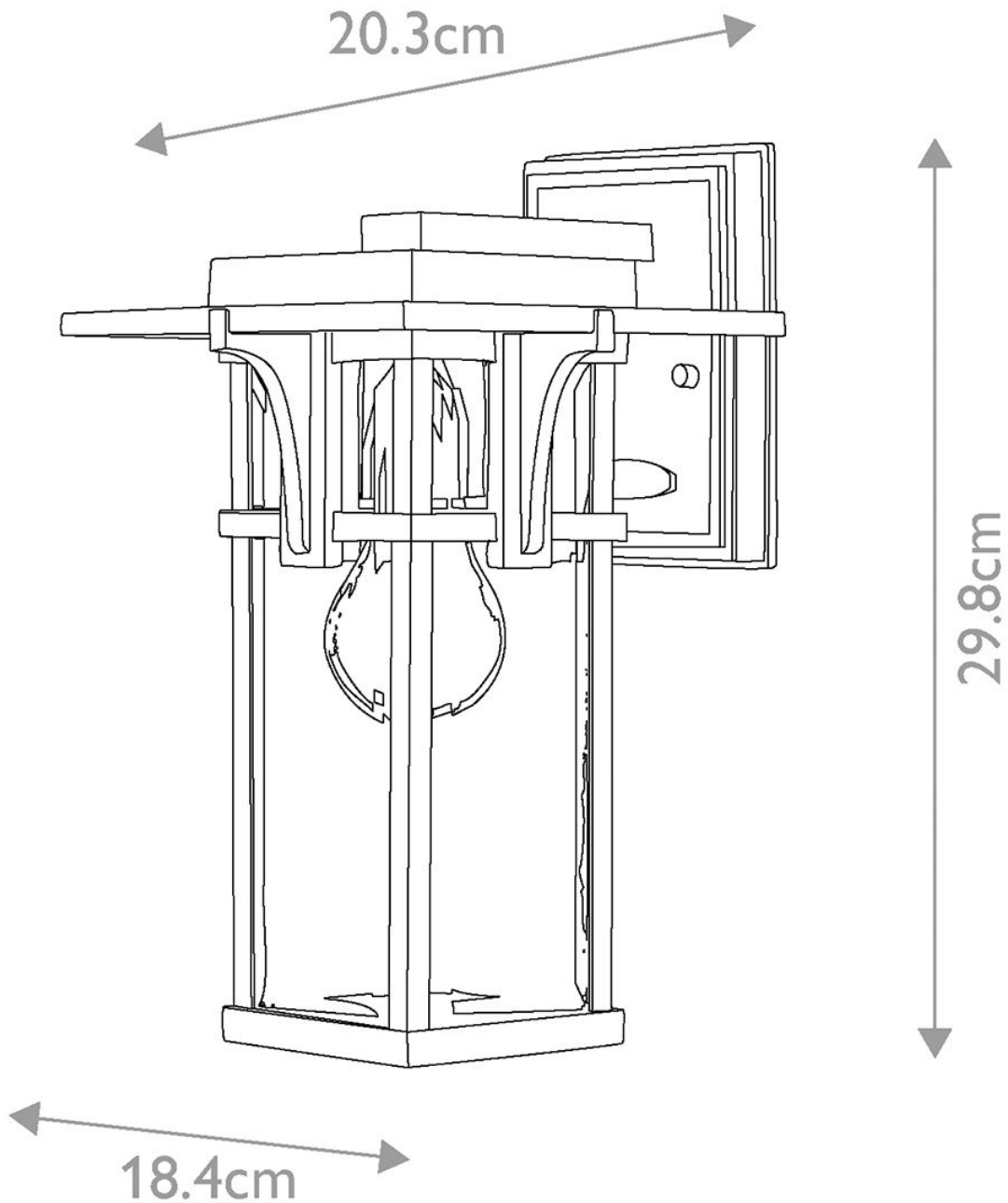


Elstead - Hinkley Lighting - Manhattan HK-MANHATTAN2-S Wall Light



CONTACT