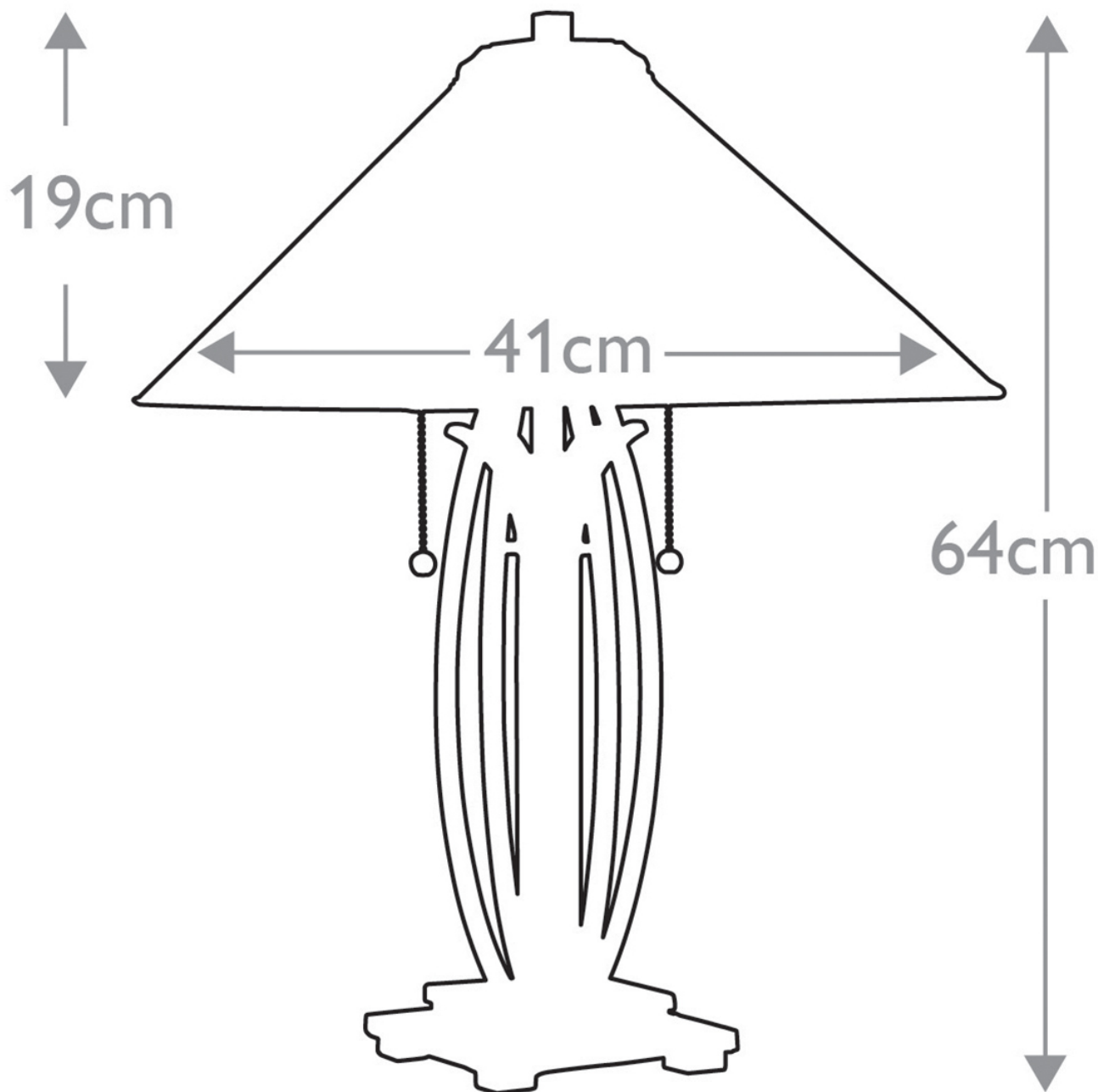


Elstead - Quoizel - Asheville QZ-ASHEVILLE-TL Table Lamp



CONTACT