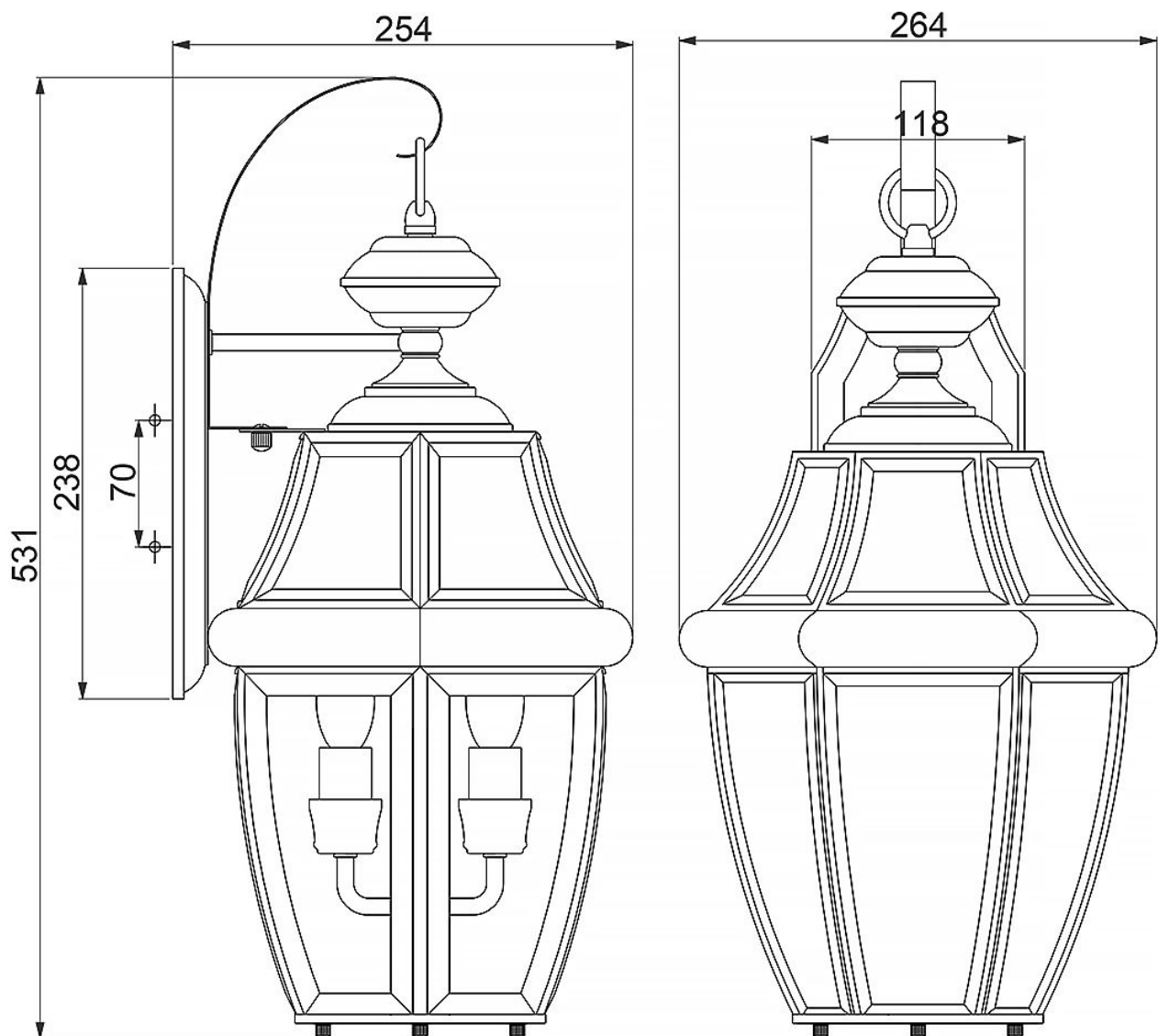


Elstead - Quoizel - Newbury QZ-NEWBURY2-L-PB Wall Light



**CONTACT**