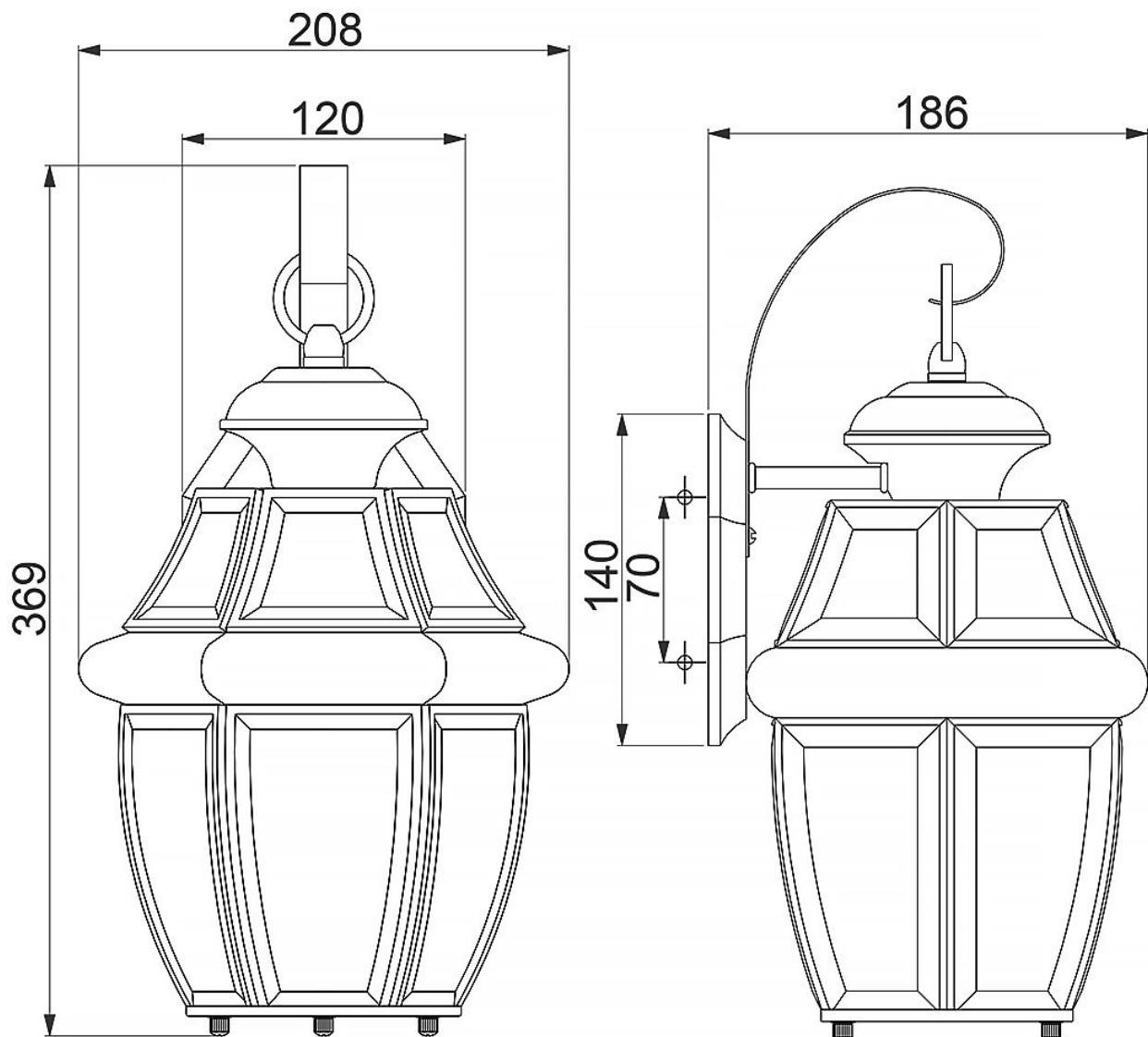


Elstead - Quoizel - Newbury QZ-NEWBURY2-M-PB Wall Light



**CONTACT**