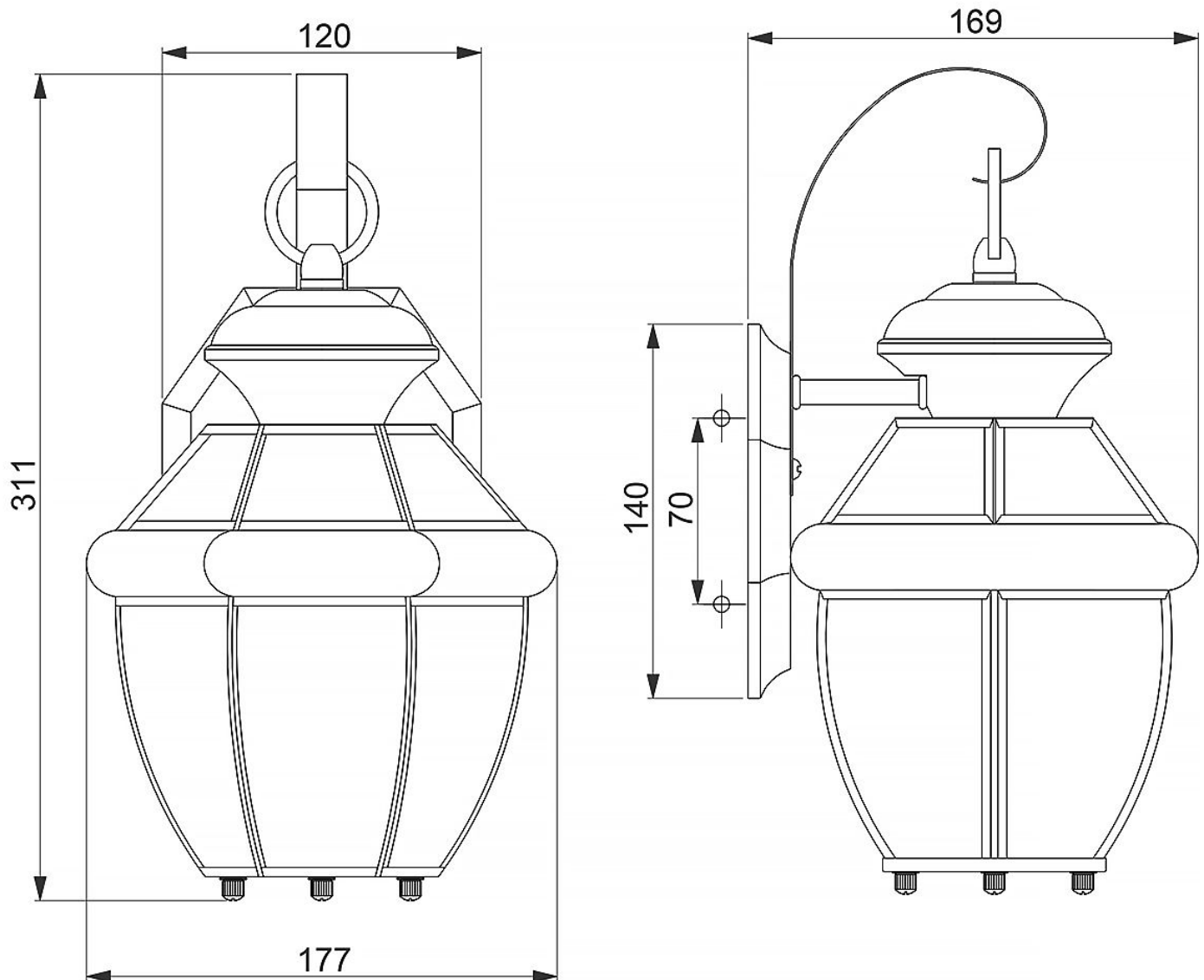


Elstead - Quoizel - Newbury QZ-NEWBURY2-S-PB Wall Light



CONTACT