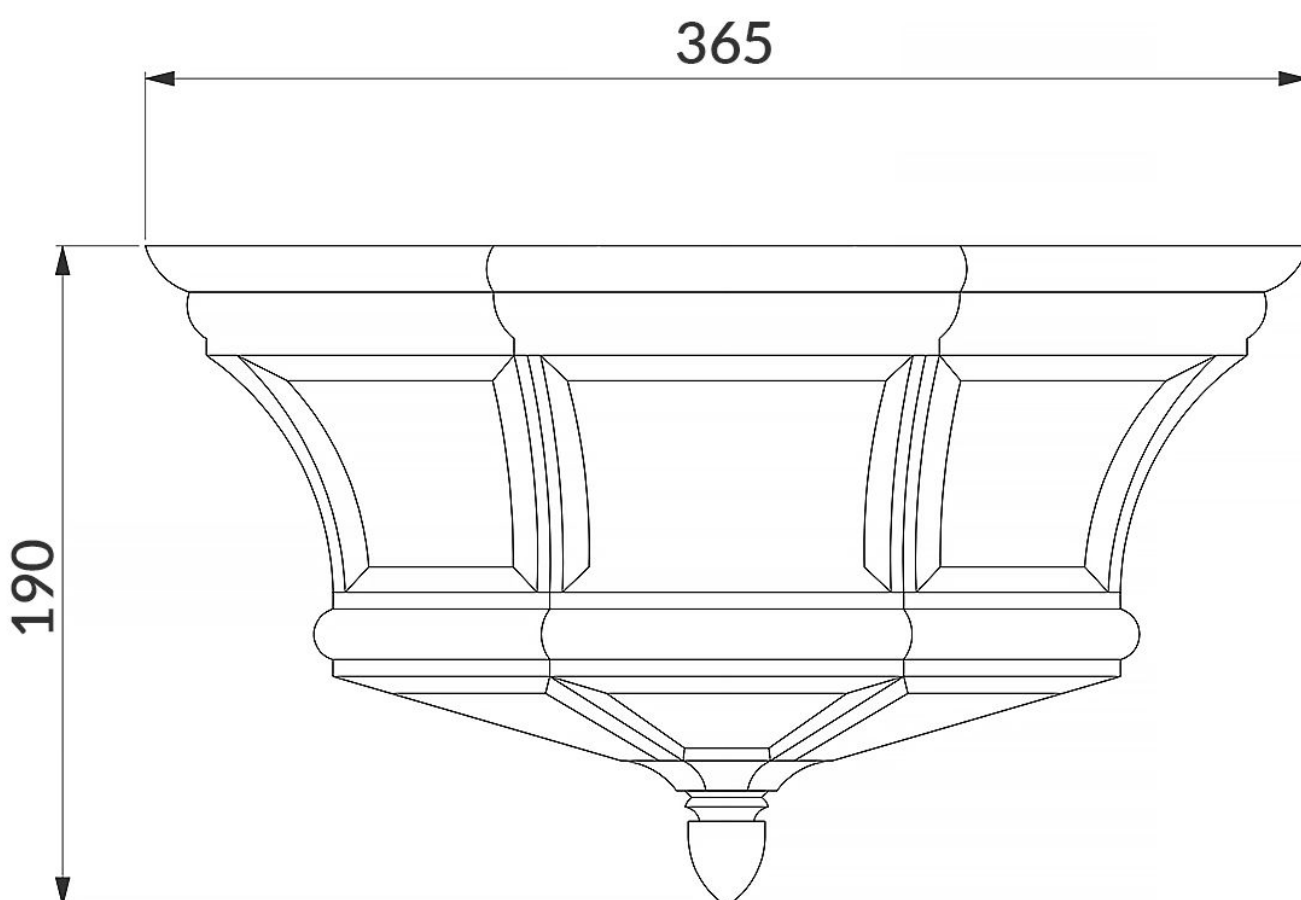


Elstead - Quoizel - Newbury QZ-NEWBURY-F-PB Flush Light



CONTACT