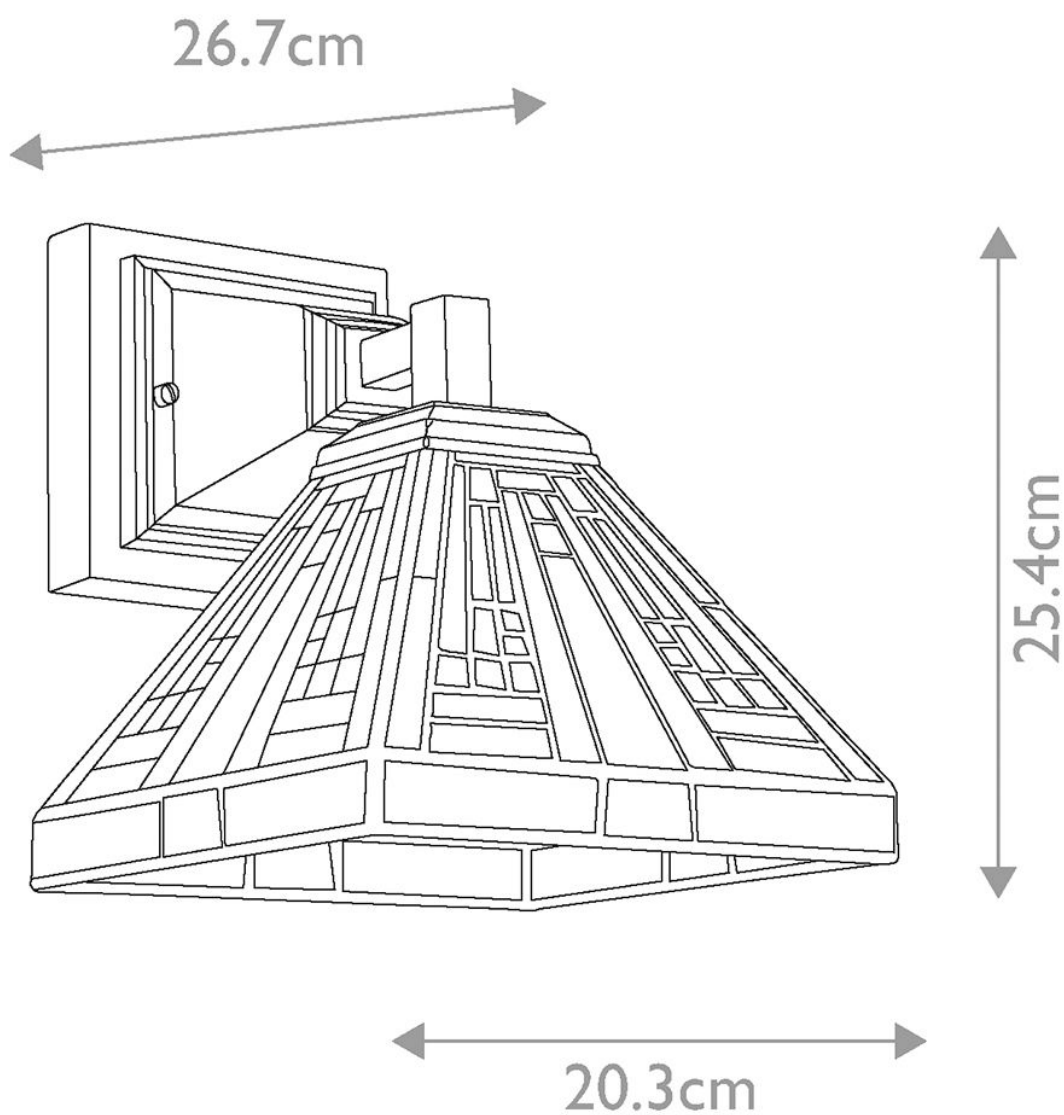


Elstead - Quoizel - Stephen QZ-STEPHEN1 Wall Light



CONTACT