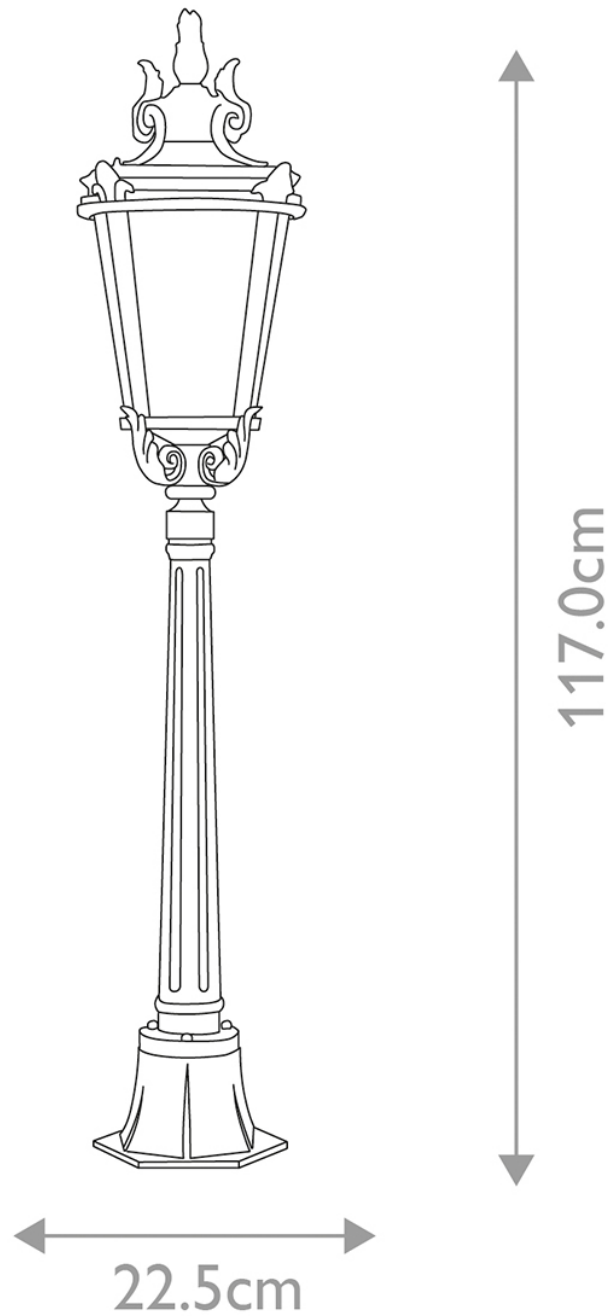


**Elstead - Baltimore BT4-M Pillar**



**CONTACT**