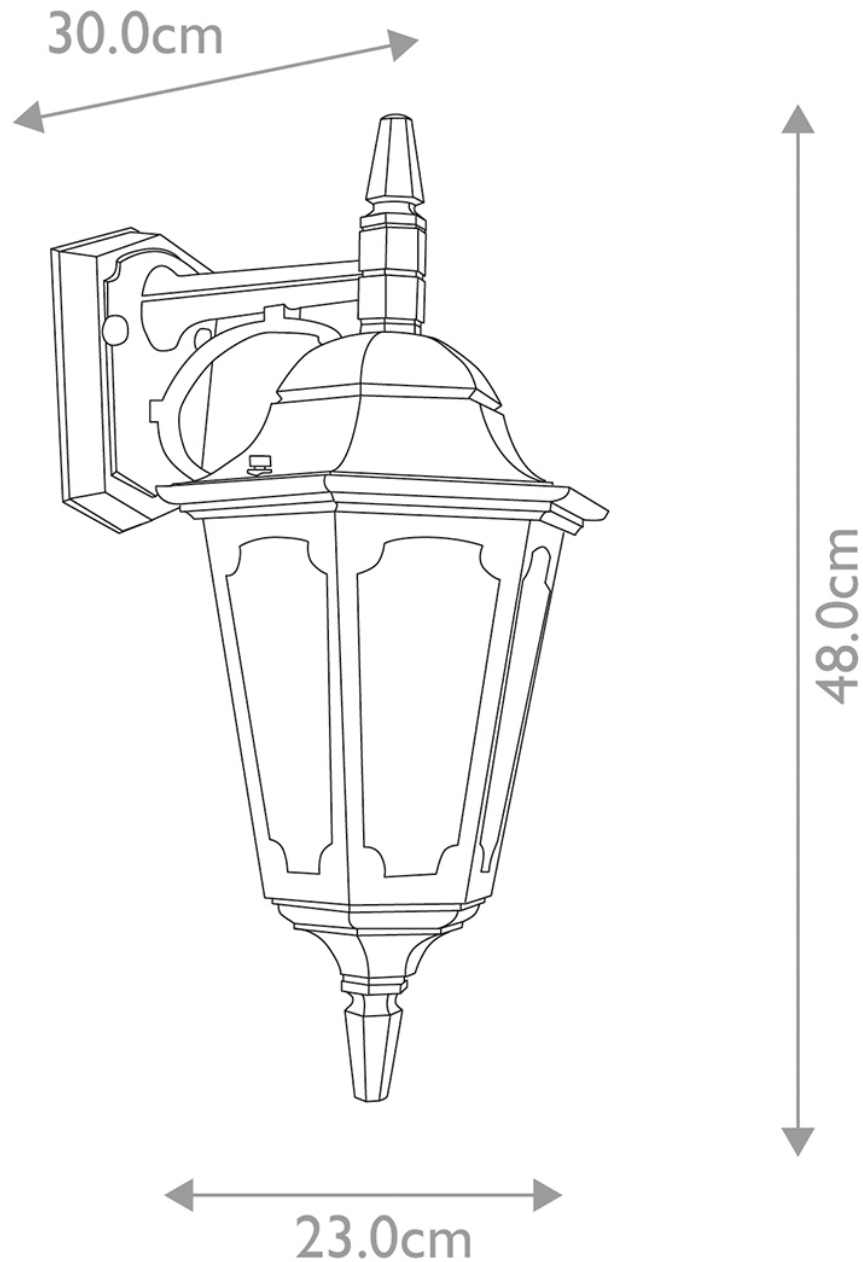


**Elstead - Parish PR2-BLACK Wall Light**



**CONTACT**