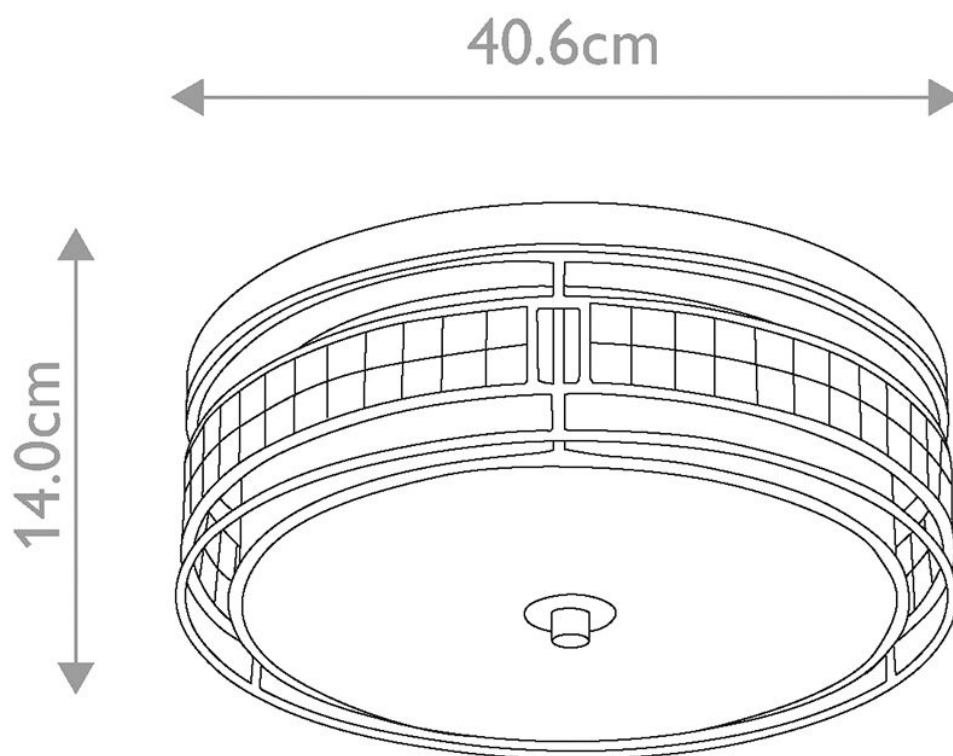

Elstead - Quoizel - Laguna QZ-LAGUNA-F-L Flush Light



CONTACT