

Set of 2 Brom - Chrome IP44 Pull Cord Bathroom Wall Lights



## LIGHT SOURCE DATA

- 2 x 25W Max G9 Halogen (required)
- Lamp direction - Downwards
- Lamp shape - Capsule
- Non-dimmable
- Energy class: Not applicable

## DIMENSION DATA

- Height 150mm
- Width 80mm
- Depth 140mm
- Weight 0.20kg

## SPECIFICATION

- Manufacturer warranty for 2 years from date of purchase
- Polished chrome plate and opal glass
- IP44
- Pull Cord On/Off Switch
- Class I - Single Insulated, Earthed
- 240V
- Assembly required? No
- UKCA Marking, Energy Efficient, Energy Saving

## CERTIFICATION



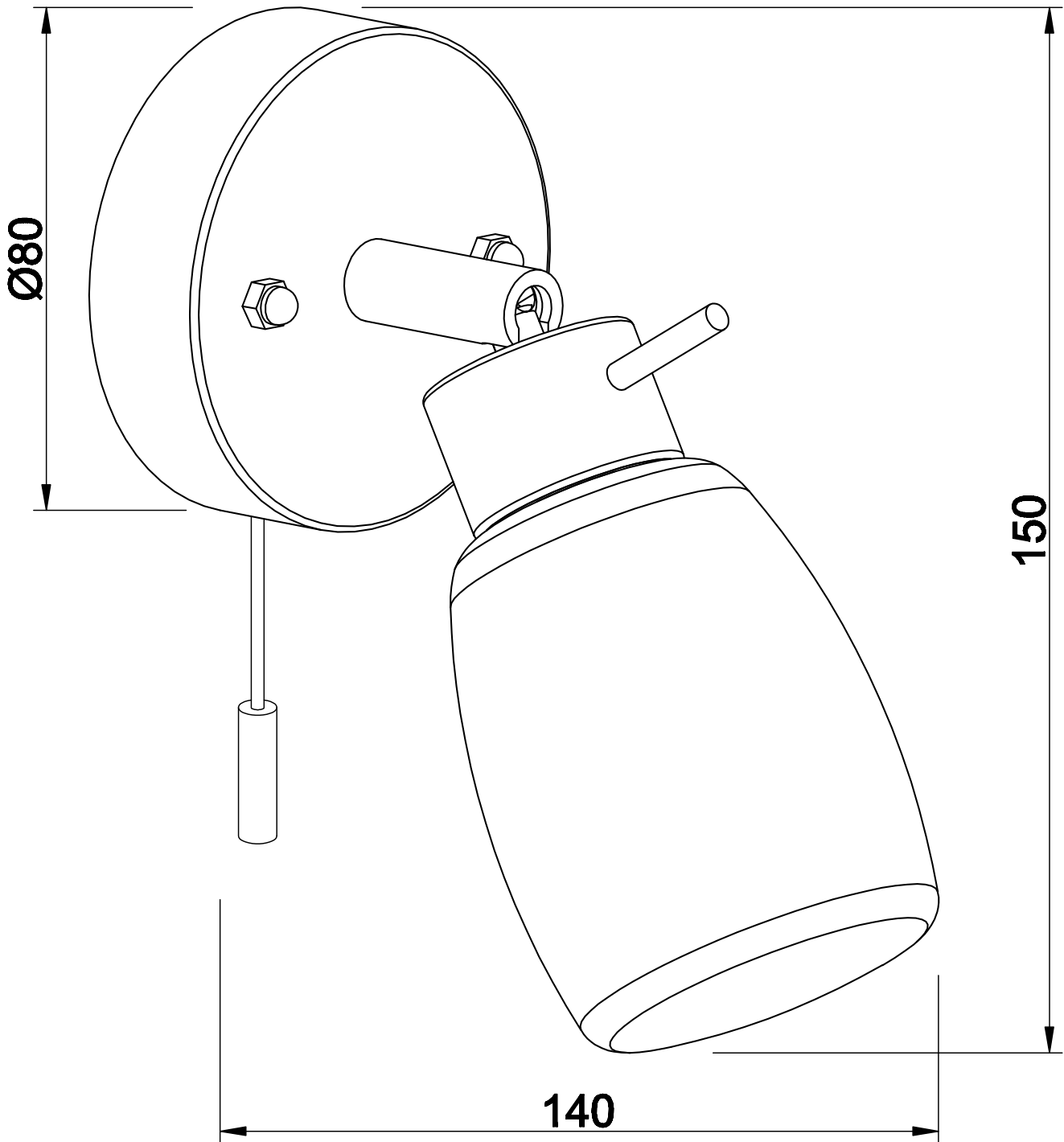
## CONTACT

[www.firstchoicelighting.co.uk](http://www.firstchoicelighting.co.uk)

[info@firstchoicelighting.co.uk](mailto:info@firstchoicelighting.co.uk)

# FCL-55761X2

Set of 2 Brom - Chrome IP44 Pull Cord Bathroom Wall Lights



## CERTIFICATION



## CONTACT

[www.firstchoicelighting.co.uk](http://www.firstchoicelighting.co.uk)

[info@firstchoicelighting.co.uk](mailto:info@firstchoicelighting.co.uk)

ISSUE DATE 16/03/2026

PAGE 2