

Dais - Chrome Opal Glass IP44 Pull Cord Bathroom Wall Light



LIGHT SOURCE DATA

- 25W Max G9 Halogen (required)
- Lamp direction - Indirect
- Lamp shape - Capsule
- Non-dimmable
- Energy class: Not applicable

DIMENSION DATA

- Height 172mm
- Width 100mm
- Depth 120mm

- Weight 0.20kg

SPECIFICATION

- Manufacturer warranty for 2 years from date of purchase
- Polished chrome plate and opal glass
- IP44
- Pull Cord On/Off Switch
- Class I - Single Insulated, Earthed
- 240V
- Assembly required? No
- UKCA Marking, Energy Efficient, Energy Saving

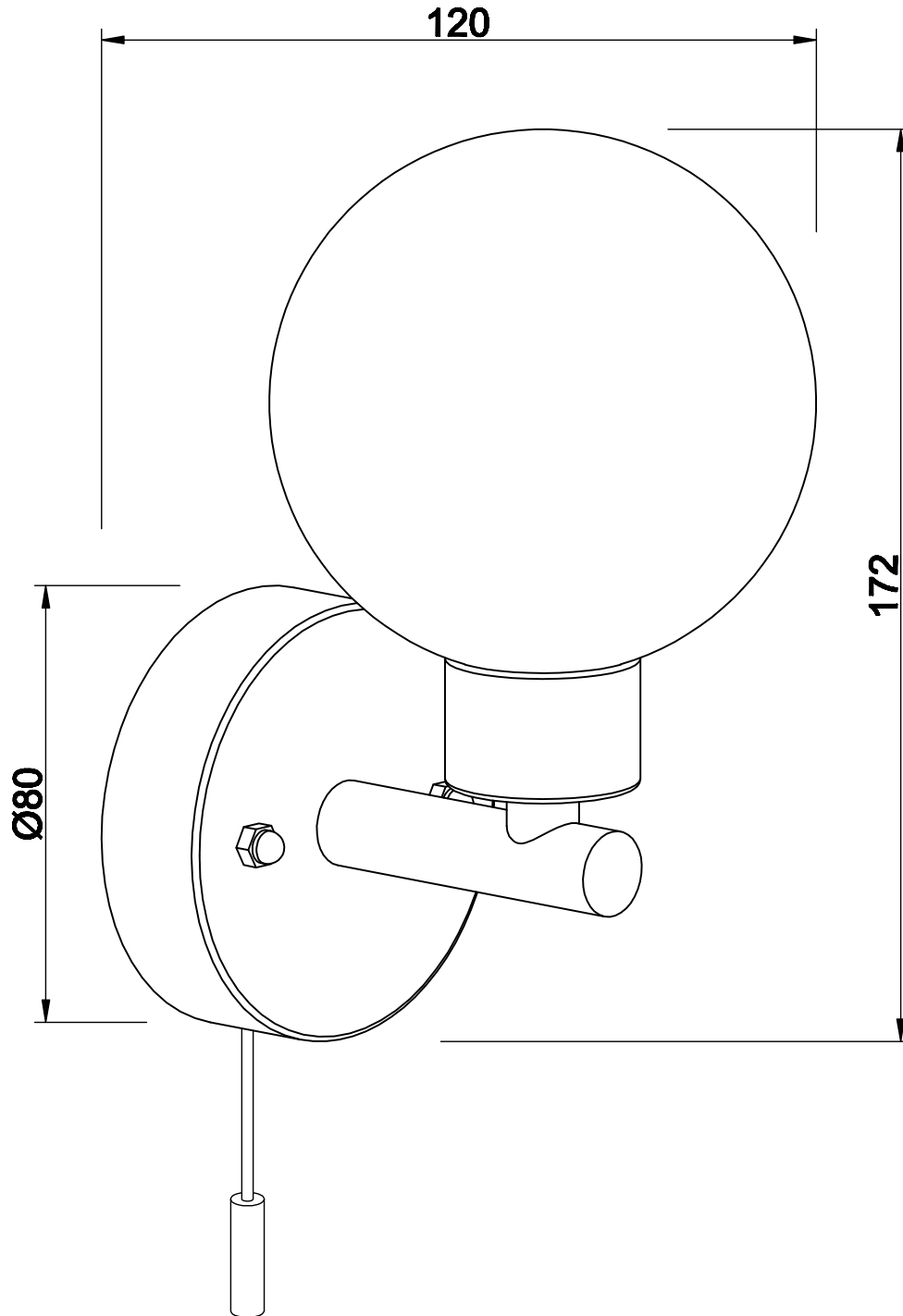
CERTIFICATION



CONTACT

www.firstchoicelighting.co.uk

info@firstchoicelighting.co.uk



CERTIFICATION



CONTACT

www.firstchoicelighting.co.uk

info@firstchoicelighting.co.uk