

Set of 2 Polished Chrome IP44 Bathroom Pull Cord Wall Lights



LIGHT SOURCE DATA

- 2 x 25W Max G9 Halogen (required)
- Lamp direction - Indirect
- Lamp shape - Capsule
- Non-dimmable
- Energy class: Not applicable

DIMENSION DATA

- Height 177mm
- Width 80mm
- Depth 90mm

- Weight 0.20kg

SPECIFICATION

- Manufacturer warranty for 2 years from date of purchase
- Polished chrome plate and frosted glass diffuser
- IP44
- Pull Cord On/Off Switch
- Class I - Single Insulated, Earthed
- 240V
- Assembly required? No
- UKCA Marking, Energy Efficient, Energy Saving

CERTIFICATION



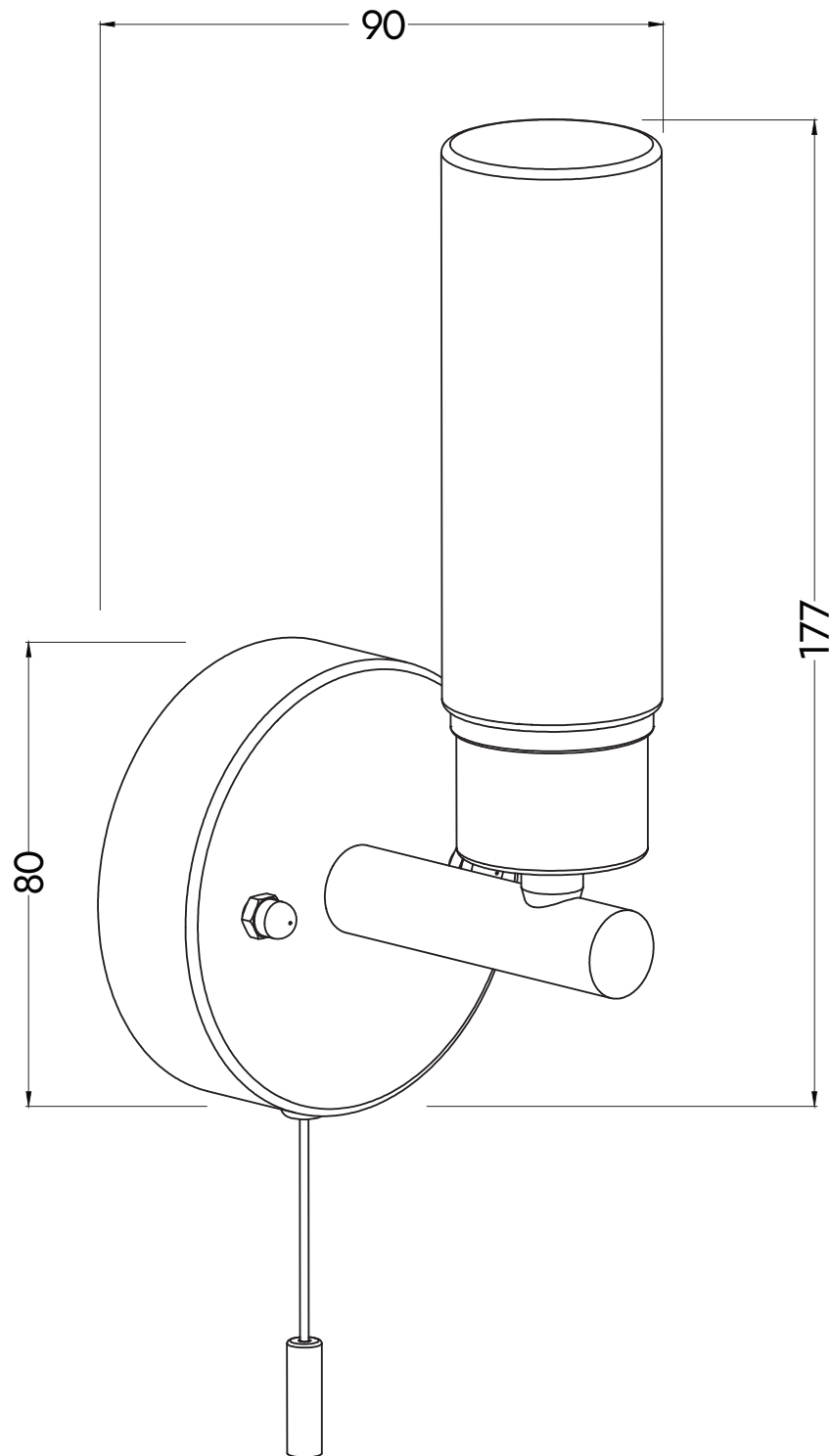
CONTACT

www.firstchoicelighting.co.uk

info@firstchoicelighting.co.uk

FCL-55823X2

Set of 2 Polished Chrome IP44 Bathroom Pull Cord Wall Lights



CERTIFICATION



CONTACT

www.firstchoicelighting.co.uk

info@firstchoicelighting.co.uk

ISSUE DATE 16/03/2026

PAGE 2