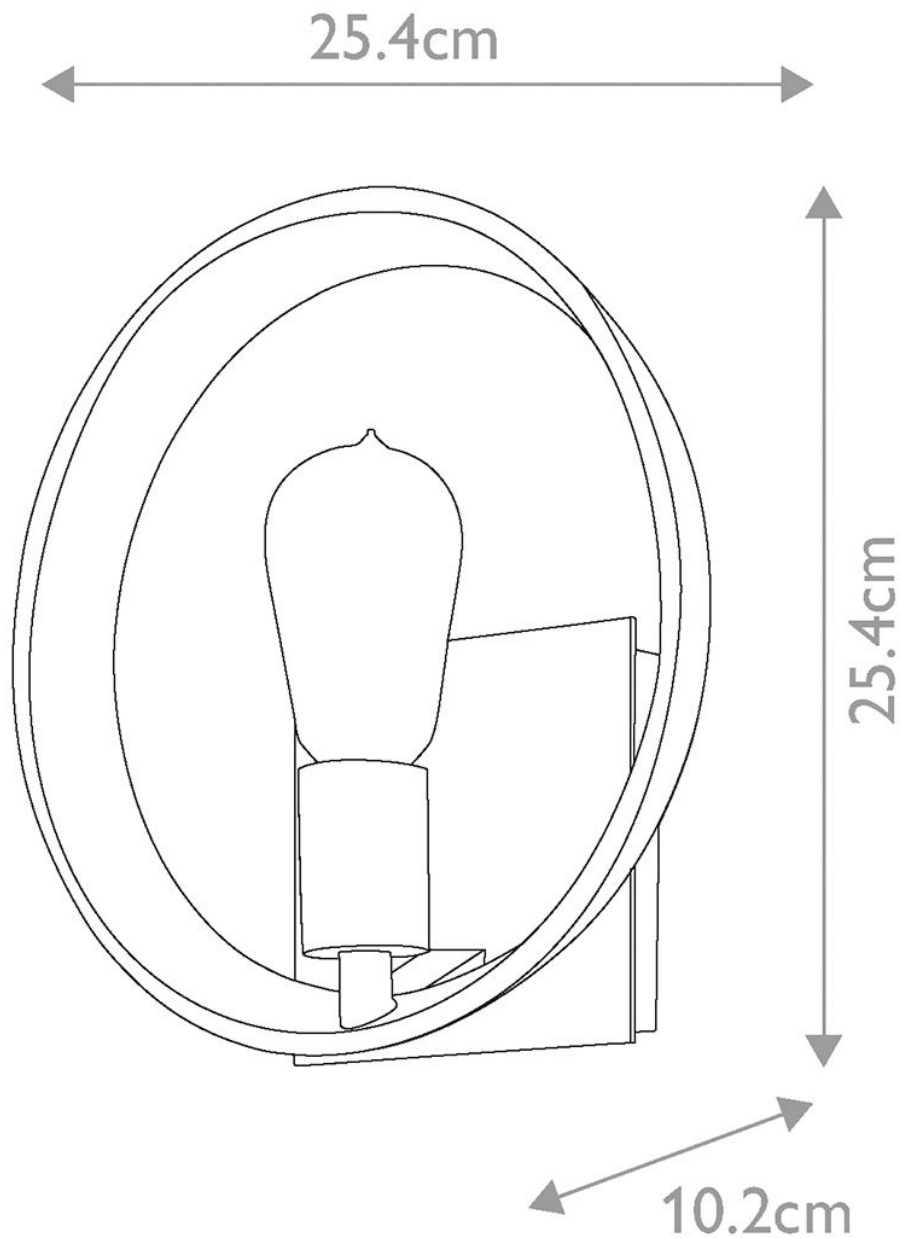


Elstead - Quoizel - Theater Row QZ-THEATER-ROW1IS Wall Light



## CONTACT