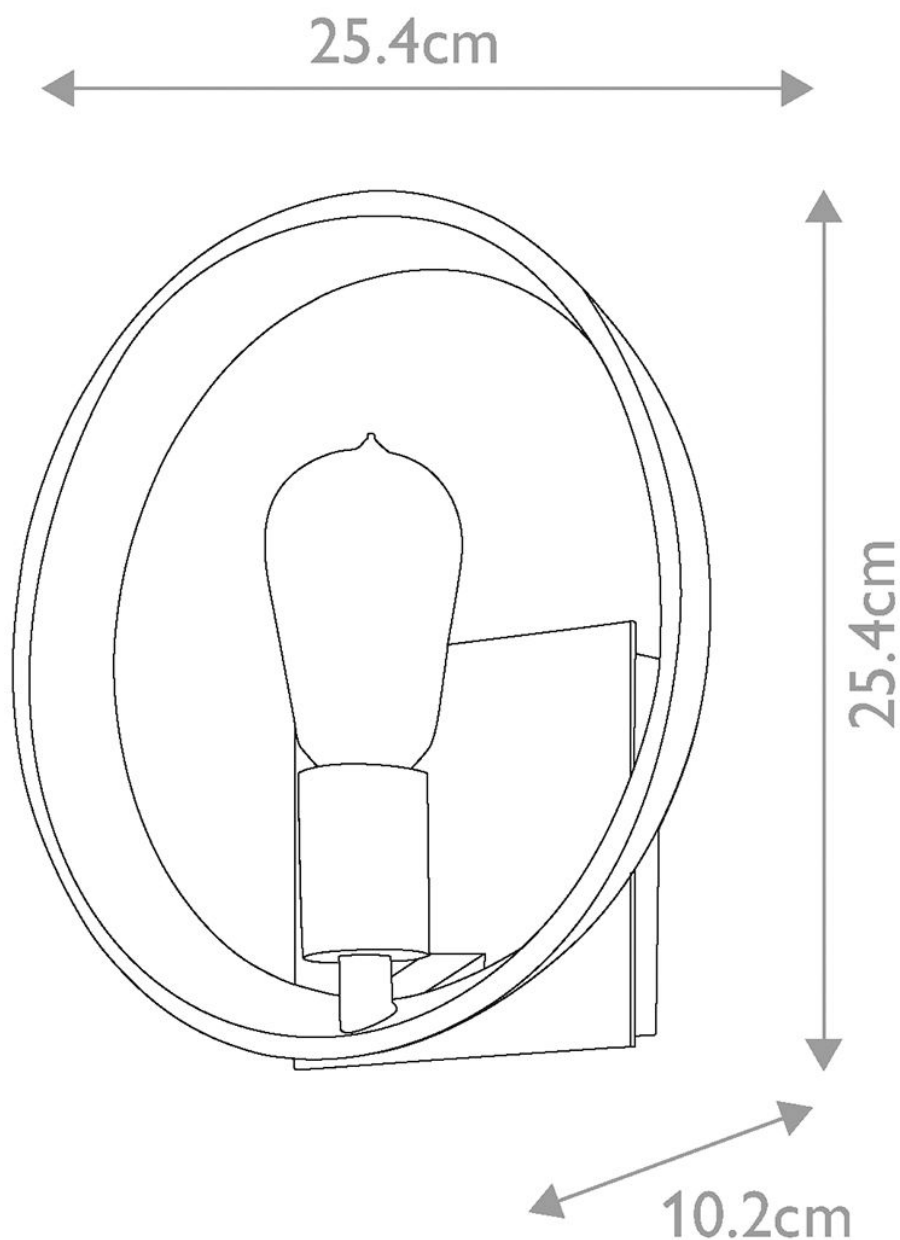


Elstead - Quoizel - Theater Row QZ-THEATER-ROW1WT Wall Light



CONTACT