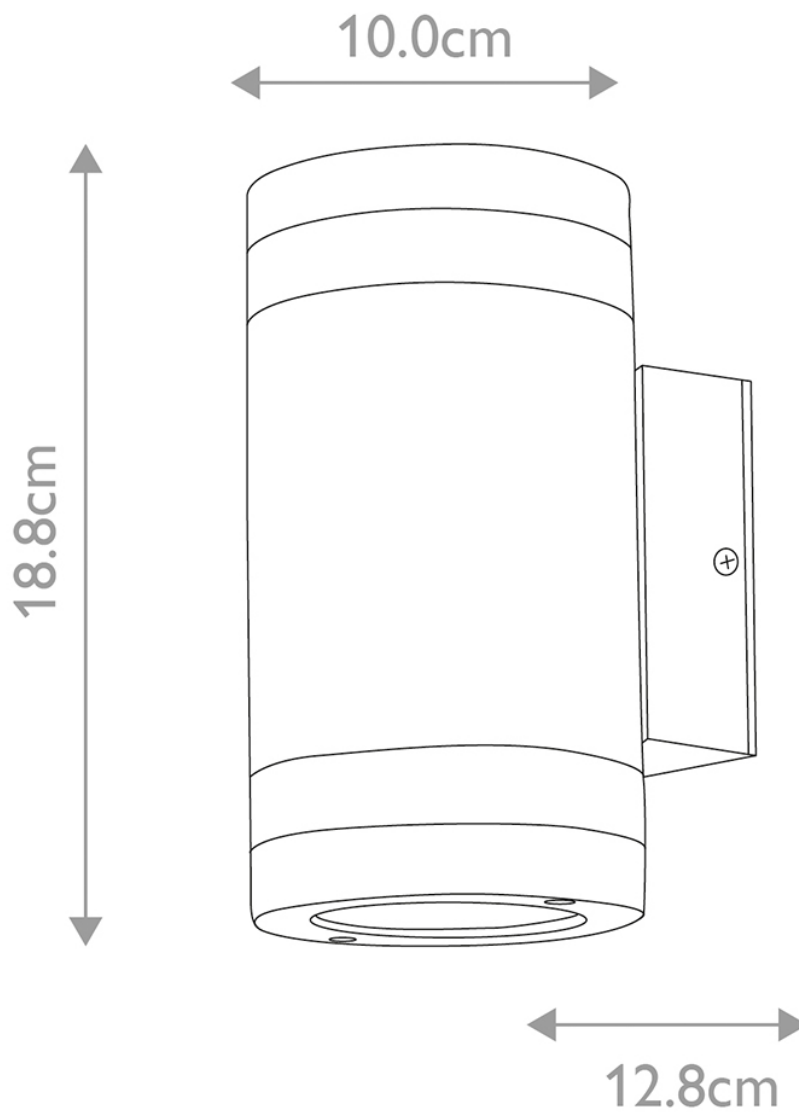


Elstead - Magnus MAGNUS-2 Wall Light



CONTACT