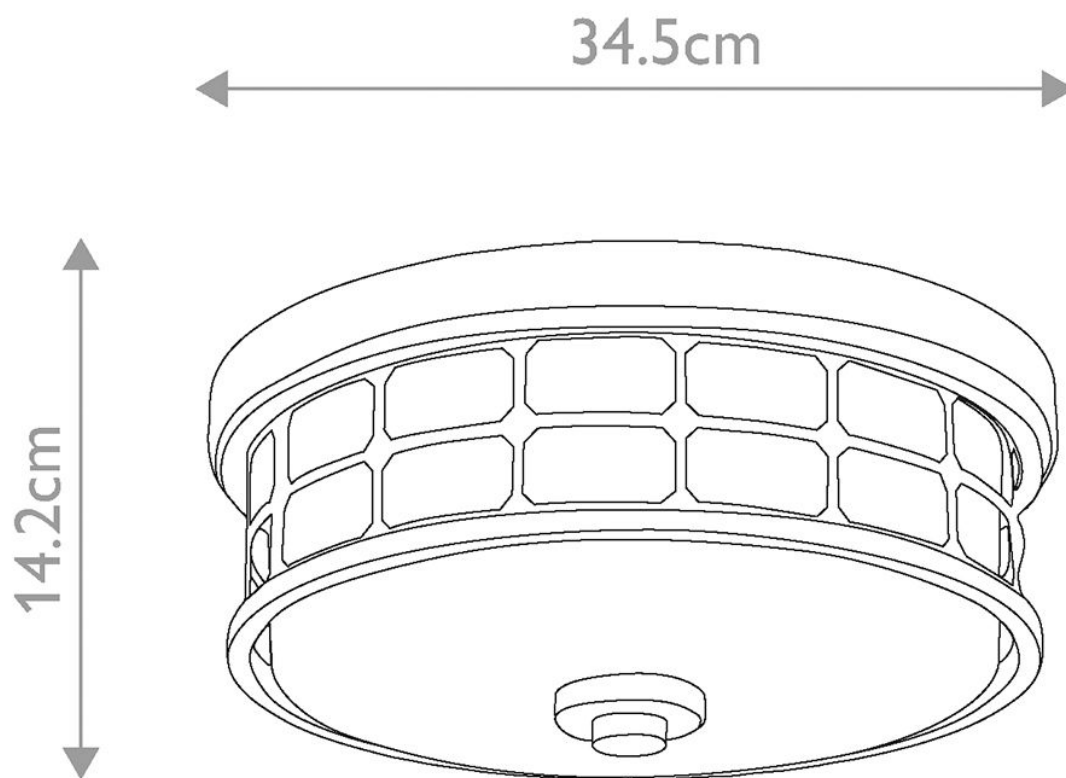

Elstead - Quoizel - Guardian QZ-GUARDIAN-F-BN Flush Light



CONTACT