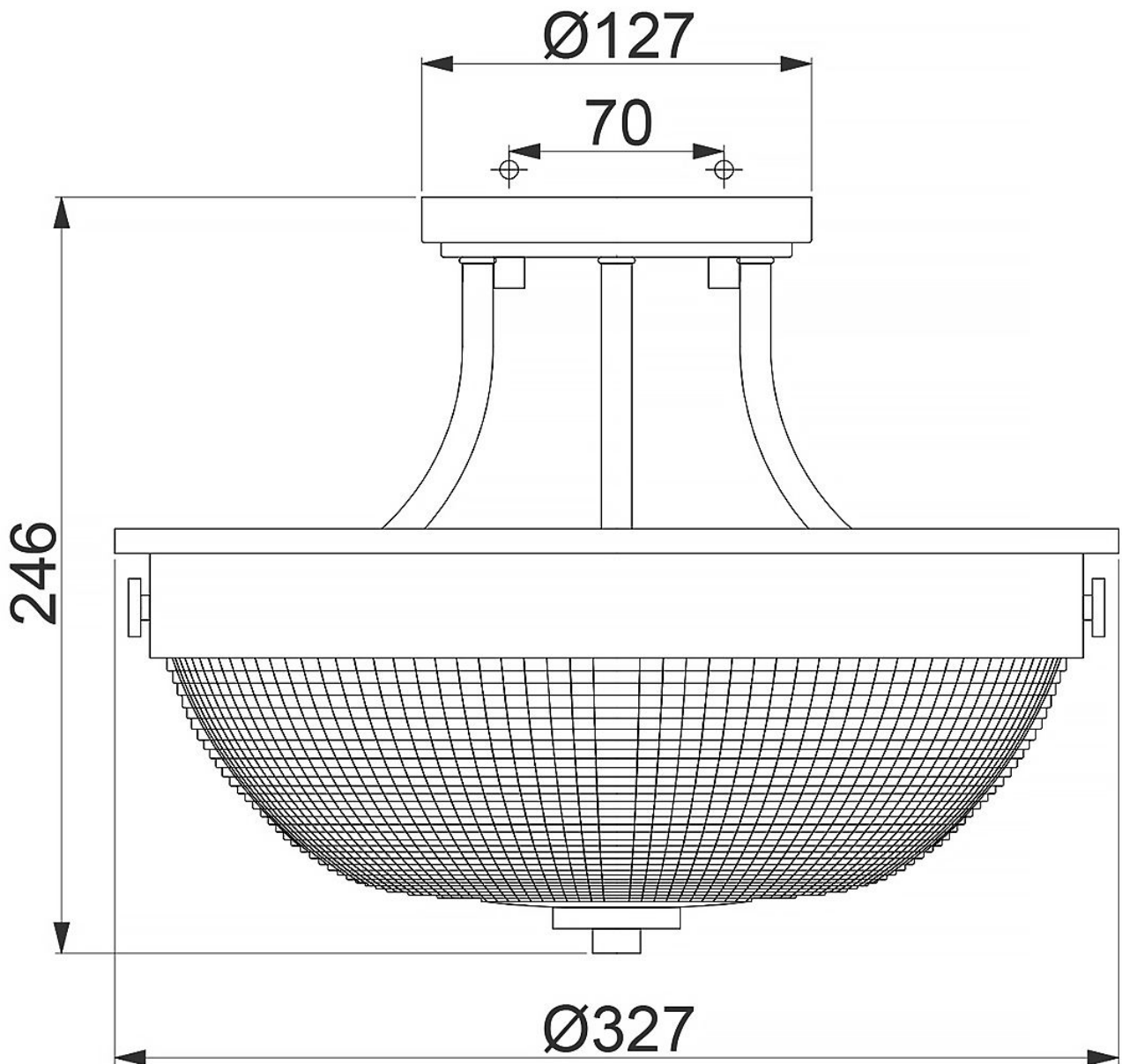


Elstead - Quoizel - Mantle QZ-MANTLE-SF-IS Semi-Flush



CONTACT