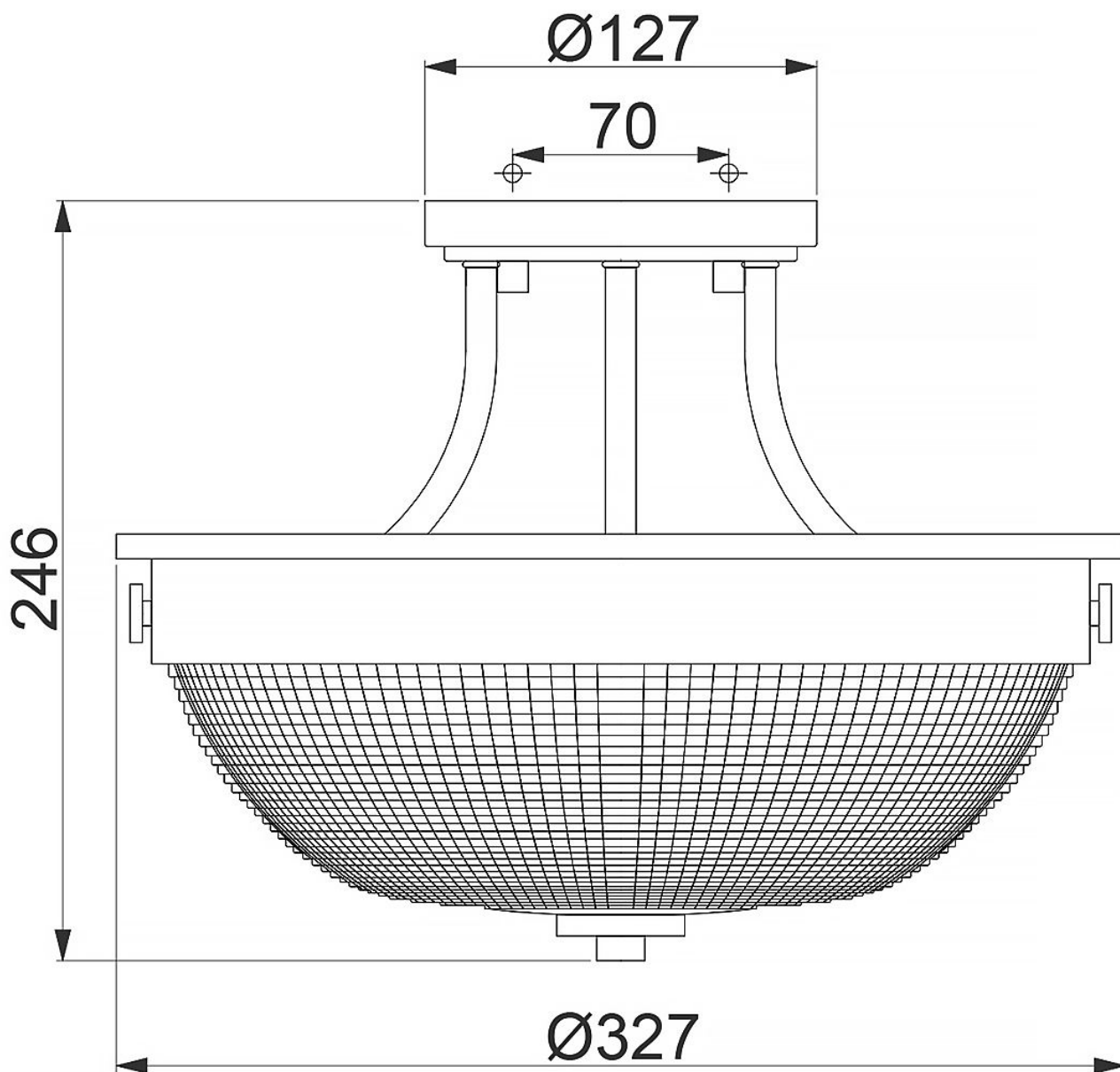


Elstead - Quoizel - Mantle QZ-MANTLE-SF-WS Semi-Flush



CONTACT