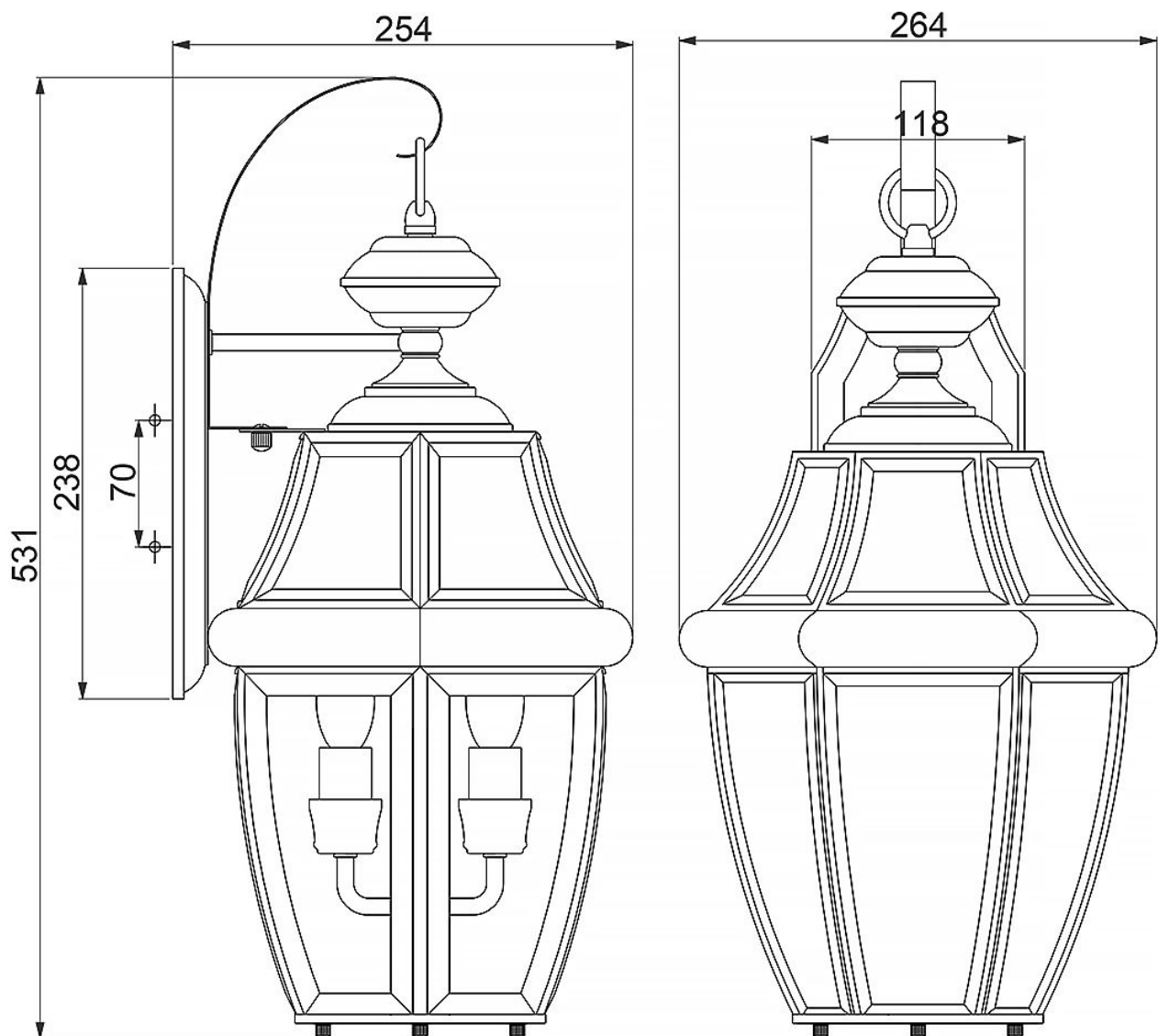


Elstead - Quoizel - Newbury QZ-NEWBURY2-L-AC Wall Light



**CONTACT**