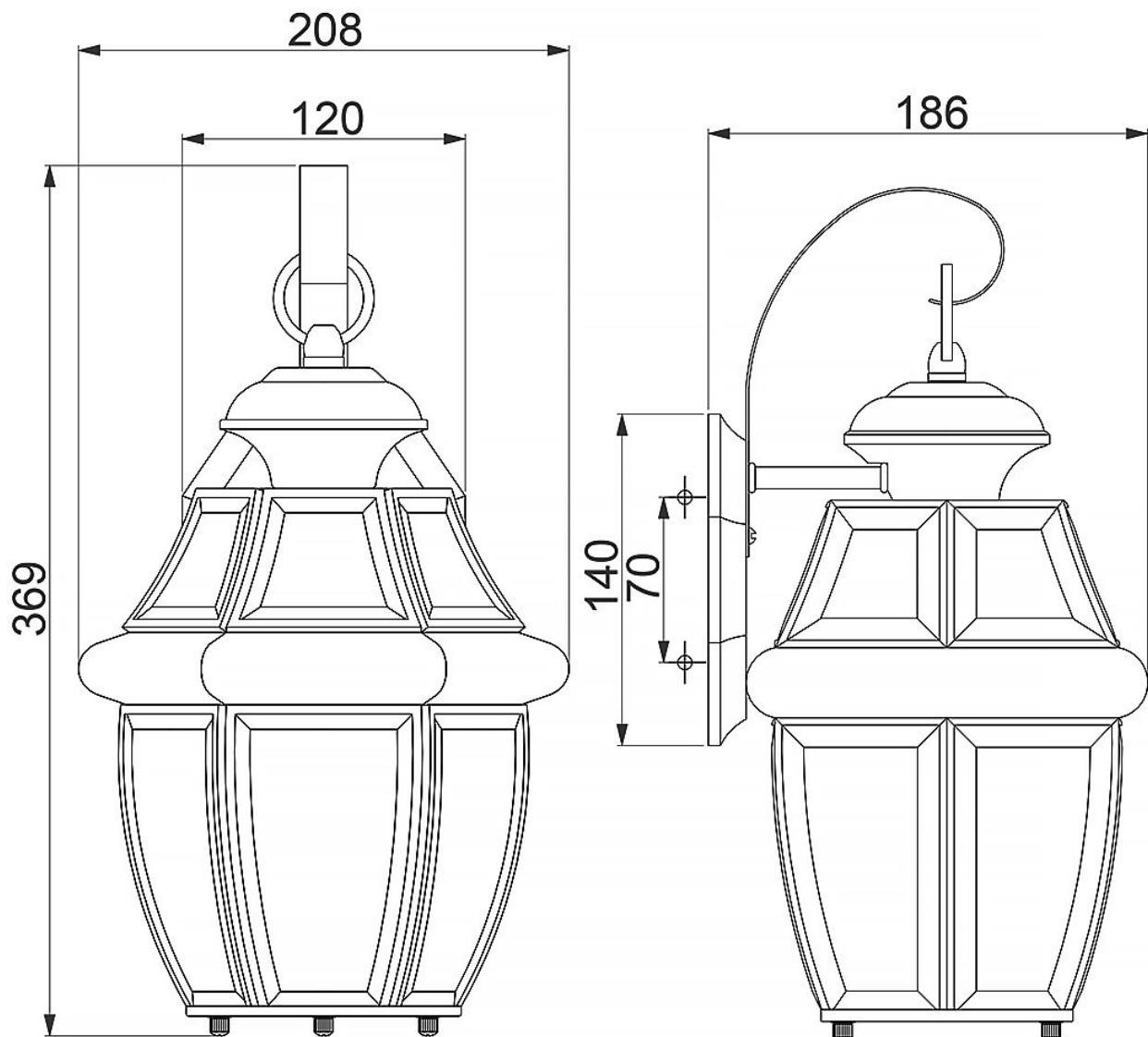


Elstead - Quoizel - Newbury QZ-NEWBURY2-M-AC Wall Light



CONTACT