

## Cafe - Chrome with Striped Glass 3 Light Flush Ceiling Light

---



---

### LIGHT SOURCE DATA

- 3 x 28W Max G9 (required)
- Lamp direction - Indirect
- Lamp shape - Capsule
- Dimmable
- Energy class: Not applicable

### DIMENSION DATA

- Height 190mm
- Diameter 417mm
  
- Weight 0.64kg

---

### SPECIFICATION

- Manufacturer warranty for 2 years from date of purchase
- Polished chrome plate and clear with white spiral detail glass
- IP20
- No
- Class I - Single Insulated, Earthed
- 240V
- Assembly required? No
- UKCA Marking, Energy Efficient, Energy Saving

---

### CERTIFICATION

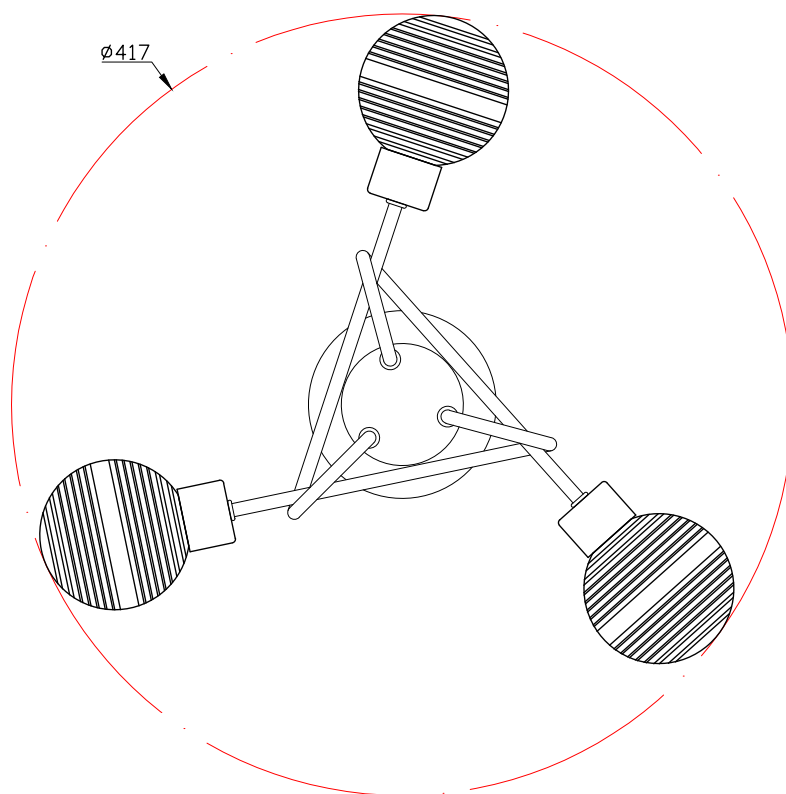
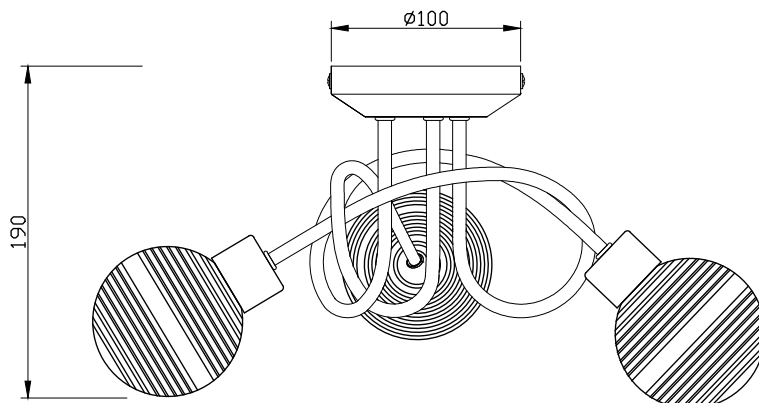


---

### CONTACT

[www.firstchoicelighting.co.uk](http://www.firstchoicelighting.co.uk)

[info@firstchoicelighting.co.uk](mailto:info@firstchoicelighting.co.uk)



### CERTIFICATION



### CONTACT

[www.firstchoicelighting.co.uk](http://www.firstchoicelighting.co.uk)

[info@firstchoicelighting.co.uk](mailto:info@firstchoicelighting.co.uk)