

Set of 2 Oto - Chrome with Textured Glass 3 Light Flush Ceiling Lights



LIGHT SOURCE DATA

- 6 x 28W Max G9 (required)
- Lamp direction - Indirect
- Lamp shape - Capsule
- Dimmable
- Energy class: Not applicable

DIMENSION DATA

- Height 190mm
- Diameter 400mm
- Weight 0.64kg

SPECIFICATION

- Manufacturer warranty for 2 years from date of purchase
- Polished chrome plate and moulded crystal effect glass
- IP20
- No
- Class I - Single Insulated, Earthed
- 240V
- Assembly required? No
- UKCA Marking, Energy Efficient, Energy Saving

CERTIFICATION



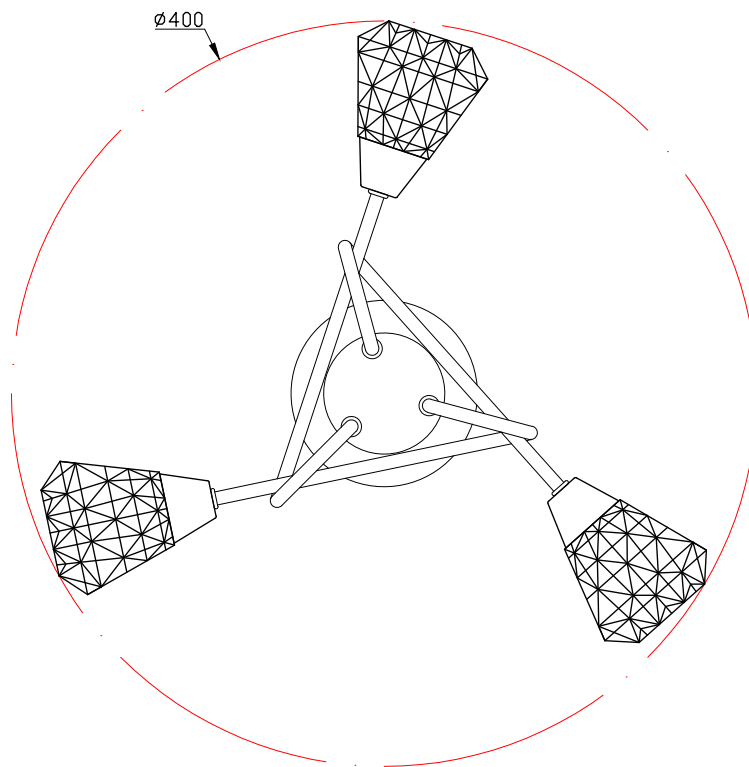
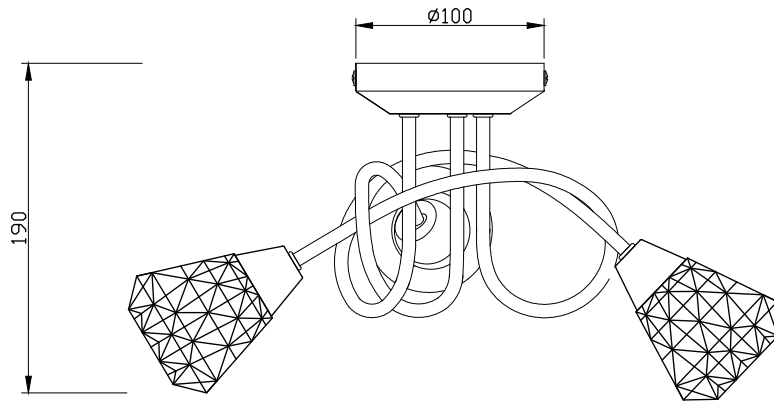
CONTACT

www.firstchoicelighting.co.uk

info@firstchoicelighting.co.uk

FCL-80427X2

Set of 2 Oto - Chrome with Textured Glass 3 Light Flush Ceiling Lights



CERTIFICATION



CONTACT

www.firstchoicelighting.co.uk

info@firstchoicelighting.co.uk

ISSUE DATE 16/03/2026

PAGE 2